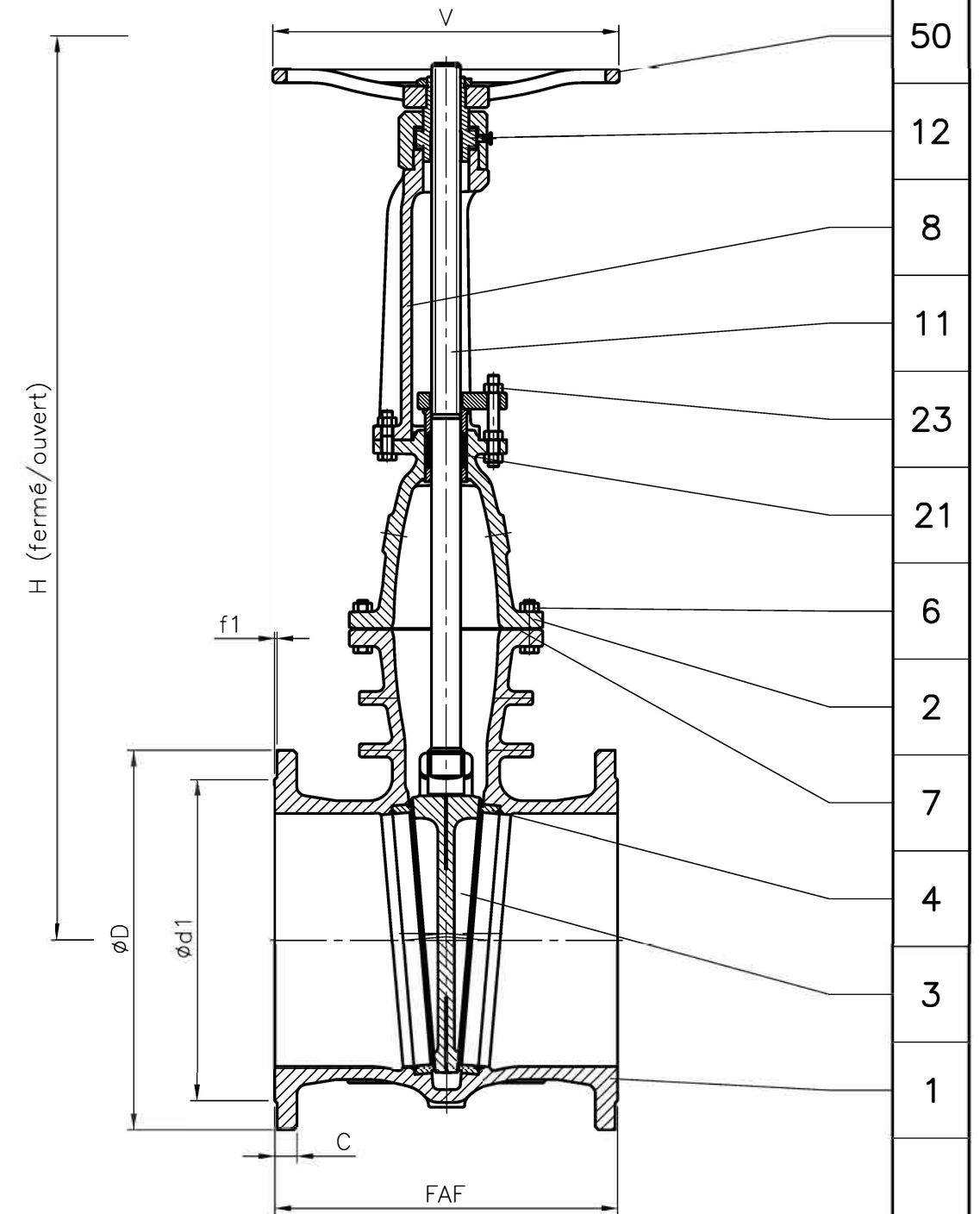


50	Volant Handwheel	Fonte FGS 400/15 Cast iron A 536 Gr 60-40-18
23	Boulonnerie du fouloir Gland bolting	Acier classe 10/9 Steel A193 Gr.B7/A194 Gr.2H
21	Garniture Packing	Graphite Graphite
12	Ecrou de tige Stem nut	Fonte FGS Ni22 Cast iron A 439 Gr D-2C
11	Tige Stem	Acier inox Z 20 C13 Stainless steel AISI 420
8	Arcade Yoke	Acier A 480 CP-M Steel A 216 Gr WCB
7	Joint corps/chapeau Body/bonnet gasket	Graphite Graphite
6	Boulonnerie corps/chapeau Body/bonnet bolting	Acier classe 10/9 Steel A193 Gr.B7/A194 Gr.2H
4	Siège / Portée d'étanchéité Seat / Tightness-seating	Acier TU 52-b / 13% Cr Steel A 106 Gr B / 13% Cr
3	Obturateur / Portée d'étanchéité Disc / Tightness-seating	Acier inox Z 20 C13 Stainless steel AISI 420
2	Chapeau Bonnet	Acier A 480 CP-M Steel A 216 Gr WCB
1	Corps Body	Acier A 480 CP-M Steel A 216 Gr WCB
REP MARK	DESIGNATION DESIGNATION	MATIERE (AFNOR) MATERIAL (ASTM/AISI)

REFERENCES – REFERENCES

Les nuances ASTM/AISI ne figurent qu'à titre indicatif – ASTM/AISI materials are not contractual
 Construction – Construction : NFE 29.327 (02/85)
 Raccordement – Connection : Brides, ISO PN16, type 21-B, NFE 29.203 (07/89)
 Classe de pression – Pressure class : ISO PN16
 Essais – Testing : NFE 29.311 (06/82), taux d'étanchéité 2
 Courbe pression / TC – Pressure / TC curve : NFE 29.005 (91), ISO 7005-1 (04/92)

OPTIONS – OPTIONS



DN	250	300	350	400				
Catégorie suivant DESP – type in accordance with PED : 97/23/CE	C3	C3	C3	C3				
FAF mm	400	425	475	525				
øD/C mm	405/26	460/28	520/30	580/32				
Nbr/øTrou/øPerçage Nbr/øHole/øDrilling	12/26/355	12/26/410	16/26/470	16/30/525				
ød1/f1 mm	320/3	378/4	430/4	490/4				
V mm	400	500	500	600				
H (Fermé/Ouvert) (Closed/Opened) mm	932/1197	1088/1403	1205/1556	1346/1750				
Pression limite cde manuelle	–	13.5	16	15				
Kv	7140	10570	13000	17450				
Masse – Weight kg	186	262	355	480				

A	26/06/08	JARRY	RODHAIN	D. Dunoyer	Etablissement du plan
Indice Index	Date Date	Rédigé Issued by	Vérifié Checked by	Approuvé Approved by	Objet de la modification Modification object
Titre – Title	ROBINET – VANNE "Alpha.S" ISO PN16 GATE VALVE			Figure – Figure	Orifice – Orifice
				2751 27	250 à 400
Toute reproduction est interdite, sans l'autorisation de SNRI					–

