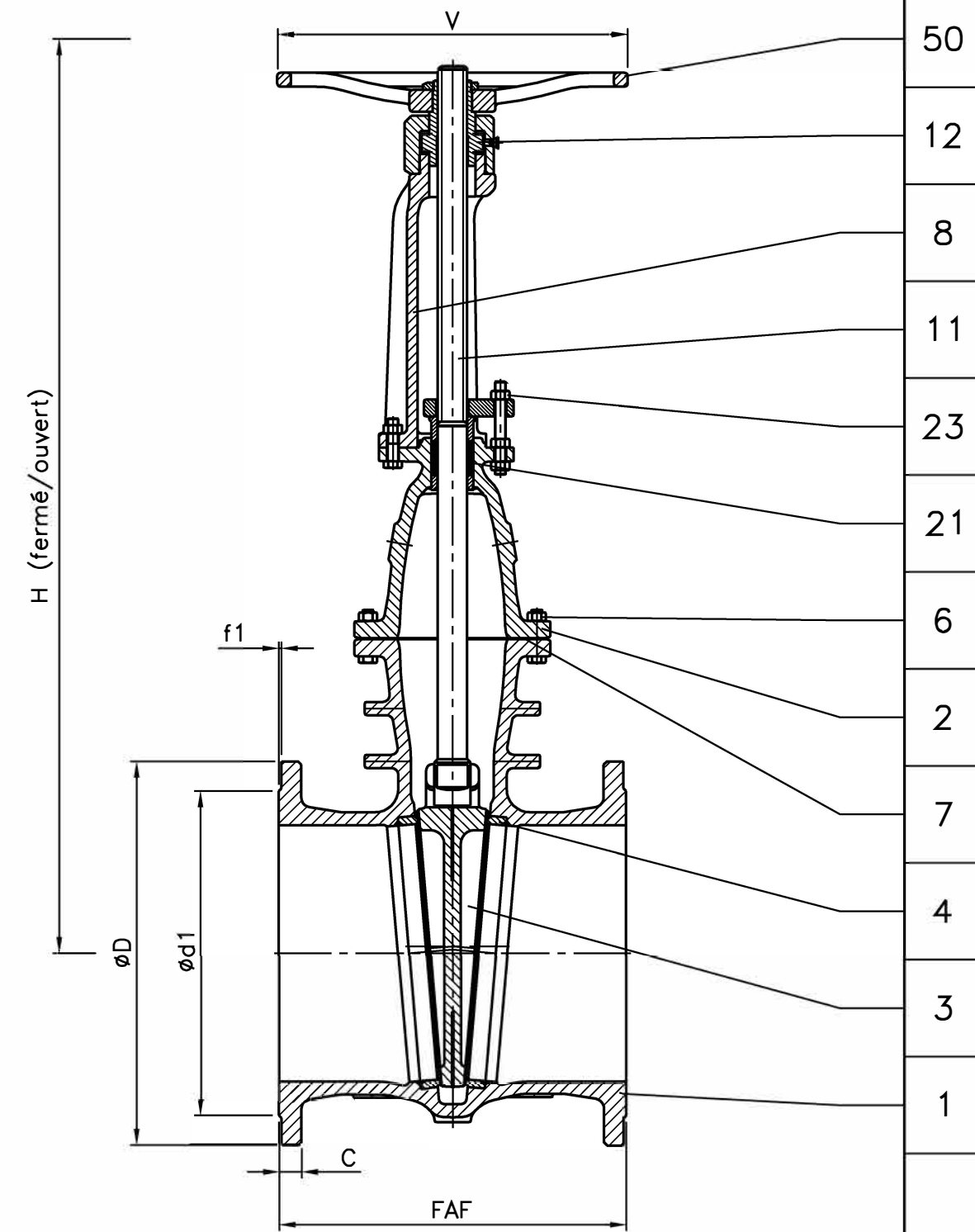


| | | |
|-------------|--|---|
| 50 | Volant Handwheel | Fonte FGS 400/15 Cast iron A 536 Gr 60-40-18 |
| 23 | Boulonnerie du fouloir Gland bolting | Acier classe 10/9 Steel A193 Gr.B7/A194 Gr.2H |
| 21 | Garniture Packing | Graphite Graphite |
| 12 | Ecrou de tige Stem nut | Fonte FGS Ni22 Cast iron A 439 Gr D-2C |
| 11 | Tige Stem | Acier inox Z 20 C13 Stainless steel AISI 420 |
| 8 | Arcade Yoke | Acier A 480 CP-M Steel A 216 Gr WCB |
| 7 | Joint corps/chapeau Body/bonnet gasket | Graphite Graphite |
| 6 | Boulonnerie corps/chapeau Body/bonnet bolting | Acier classe 10/9 Steel A193 Gr.B7/A194 Gr.2H |
| 4 | Siège / Portée d'étanchéité Seat / Tightness-seating | Acier TU 52-b / 13% Cr Steel A 106 Gr B / 13% Cr |
| 3 | Obturateur / Portée d'étanchéité Disc / Tightness-seating | Acier inox Z 20 C13 Stainless steel AISI 420 |
| 2 | Chapeau Bonnet | Acier A 480 CP-M Steel A 216 Gr WCB |
| 1 | Corps Body | Acier A 480 CP-M Steel A 216 Gr WCB |
| REP MARK | DESIGNATION DESIGNATION | MATIERE (AFNOR) MATERIAL (ASTM/AISI) |

REFERENCES - REFERENCES

Les nuances ASTM/AISI ne figurent qu'à titre indicatif - ASTM/AISI materials are not contractual
 Construction - Construction : NFE 29.327 (02/85)
 Raccordement - Connection : Brides, ISO PN16, type 21-B, NFE 29.203 (07/89)
 Classe de pression - Pressure class : ISO PN16
 Essais - Testing : NFE 29.311 (06/82), taux d'étanchéité 2
 Courbe pression / TC - Pressure / TC curve : NFE 29.005 (91), ISO 7005-1 (04/92)

OPTIONS - OPTIONS



| DN | 200 | 250 | 300 | 350 | 400 |
|---|-----------|-----------|-----------|-----------|-----------|
| Catégorie suivant DESP - Type in accordance with PED : 97/23/CE | C2 | C3 | C3 | C3 | C3 |
| FAF mm | 350 | 400 | 425 | 475 | 525 |
| øD/C mm | 340/24 | 405/26 | 460/28 | 520/30 | 580/32 |
| Nbr/øTrou/øPerçage Nbr/øHole/øDrilling | 12/22/295 | 12/26/355 | 12/26/410 | 16/26/470 | 16/30/525 |
| ød1/f1 mm | 268/3 | 320/3 | 378/4 | 430/4 | 490/4 |
| V mm | 315 | 400 | 500 | 500 | 600 |
| H (Fermé/Ouvert) (Closed/Opened) mm | 763/974 | 932/1197 | 1088/1403 | 1205/1556 | 1346/1750 |
| Pression limite cde manuelle | - | - | 13.5 | 16 | 15 |
| Kv | 4460 | 7140 | 10570 | 13000 | 17450 |
| Masse - Weight kg | 120 | 186 | 262 | 355 | 480 |

| | | | | | |
|---|---|------------------|-------------------|----------------------|--|
| C | 05.12.02 | C. Longuet | A. Lairault | D. Dunoyer | Mise à jour du cartouche (DIN PN16 devient ISO PN16) |
| B | 23.10.01 | C. Longuet | A. Lairault | D. Dunoyer | Mise à jour du plan suivant DESP 97/23/CE |
| A | 7/11/00 | C.GIRE | | | Etablissement du plan |
| Indice Index | Date Date | Rédigé Issued by | Vérfié Checked by | Approuvé Approved by | Objet de la modification Modification object |
| Titre-Title | ROBINET-VANNE "Alpha.S" ISO PN16 GATE VALVE | | | Figure - Figure | Orifice - Orifice |
| | | | | 2751 27 | 200à400 |
| Toute reproduction est interdite, sans l'autorisation de SNRI | | | | | - |

