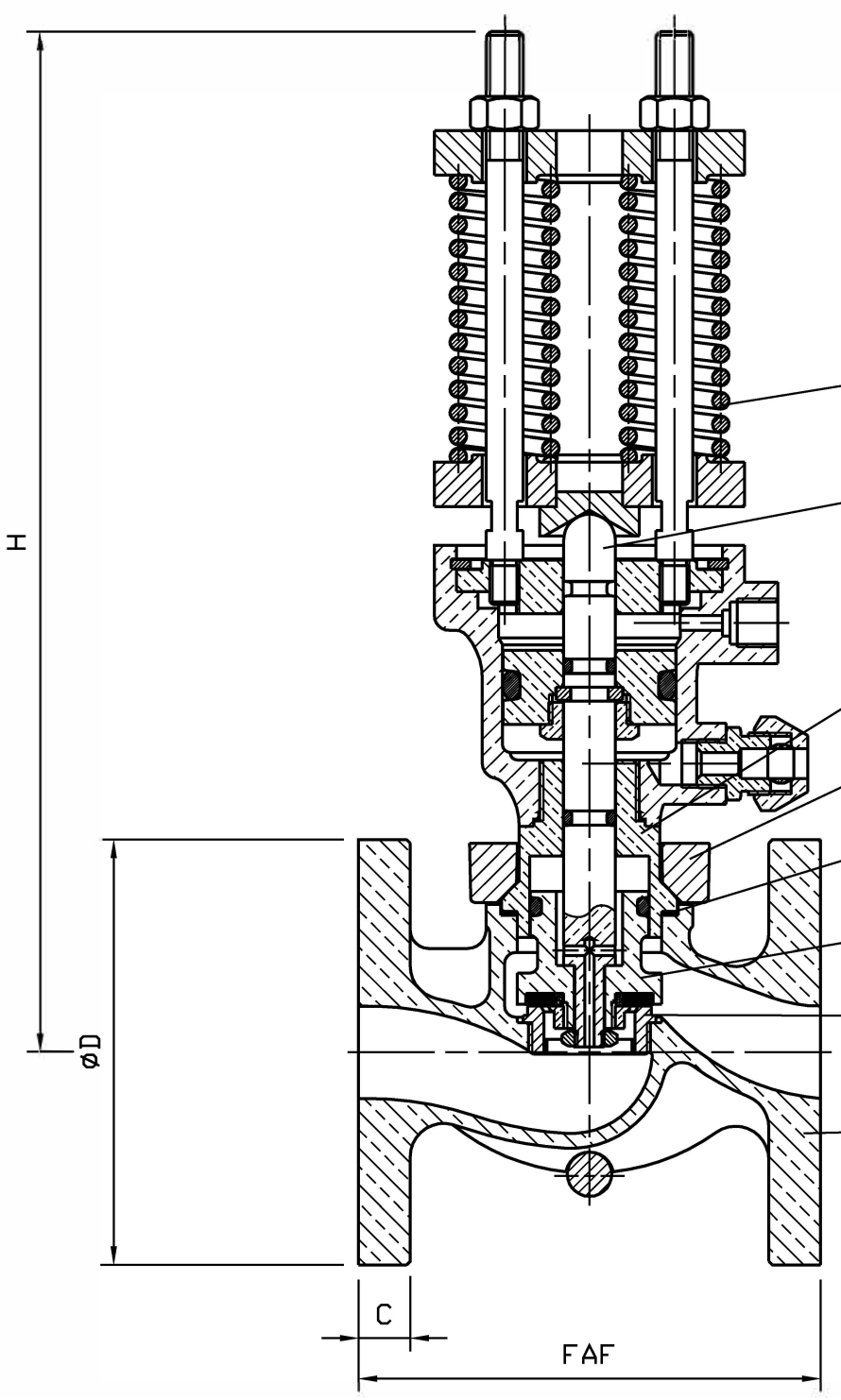


|             |  |  |
|-------------|--|--|
| 11          | Tige<br>Stem   | Laiton Cu Zn40<br>Brass                                |
| 9           | Ressort<br>Spring  | Acier XC70<br>Steel/AISI 1070                          |
| 7           | Joint corps/chapeau<br>Body/bonnet gasket                    | Graphite<br>Graphite                                   |
| 6           | Boulonnerie<br>Gland bolting                                 | Acier 42 CD4/classe 10<br>Steel A193 Gr. B7/A194 Gr.2H |
| 4           | Siège / Portée d'étanchéité<br>Seat / Tightness-seating      | Acier inox Z10 CF17<br>Stainless steel AISI 430        |
| 3           | Obturateur / Portée d'étanchéité<br>Disc / Tightness-seating | Cu Zn40/ Néoprene 70S<br>Brass/ Neoprene 70S           |
| 2           | Chapeau<br>Bonnet  | Laiton Cu Zn40<br>Brass                                |
| 1           | Corps<br>Body  | Laiton Cu Zn5 Pb5 Zn5<br>Bronze B145 Gr 4A             |
| REP<br>MARK | DESIGNATION<br>DESIGNATION                                   | MATIERE (AFNOR)<br>MATERIAL (ASTM/AISI)                |

REFERENCES REFERENCES

Les nuances ASTM/AISI ne figurent qu'à titre indicatif - *ASTM/AISI materials are not contractual*  
 Construction - *Construction* : -  
 Raccordement - *Connection* : Brides, ISO PN16, type 21, NFE 29.207 (04/86)  
 Pression amont - *Upstream pressure* : 0,8 à 15 bars  
 Limites d'emploi - *Limit use* : 80°C  
 Plage admissible T°C - *Admissible range T°C* : -10°C +260°C

OPTIONS - OPTIONS



|    |
|----|
| 9  |
| 11 |
| 2  |
| 6  |
| 7  |
| 3  |
| 4  |
| 1  |

|  |          |          |          |          |          |
|--|----------|----------|----------|----------|----------|
| DN   | 20       | 25       | 32       | 40       | 50       |
| Catégorie suivant DESP - Type in<br>accordance with PED : 97/23/CE | art. 3.3 | art. 3.3 | art. 3.3 | art. 3.3 | art. 3.3 |
| FAF mm   | 110      | 125      | 140      | 160      | 185      |
| ØD/C mm  | 105/16   | 115/16   | 140/18   | 150/18   | 165/20   |
| Nbr. ØTrou. ØPercage<br>Nbr. ØHole. ØDrilling mm                   | 4/14/75  | 4/14/85  | 4/18/100 | 4/18/110 | 4/18/125 |
| H mm   | 274      | 285      | 315      | 365      | 416      |
| Masse - Weight kg  | 6        | 8        | 11       | 14       | 18       |

|   |  |                     |                       |                         |   |
|---|--|---------------------|-----------------------|-------------------------|---|
| A   | 08.10.03   | C. Longuet          | A.Lairault            | D.Dunoyer               | Etablissement du plan/First issue               |
| Indice<br>Index   | Date<br>Date   | Rédigé<br>Issued by | Vérifié<br>Checked by | Approuvé<br>Approved by | Objet de la modification<br>Modification object |
| Titre - Title   | DEVERSEUR - REGULATEUR<br>"Blackflo"<br>PRESSURE REGULATOR |                     |                       | Figure - Figure         | Orifice - Orifice                               |
|   |  |                     |                       | 6120   02               | 20 à 50   |
| Toute reproduction est interdite, sans l'autorisation de SNRI |  |                     |                       |                         | -   |

