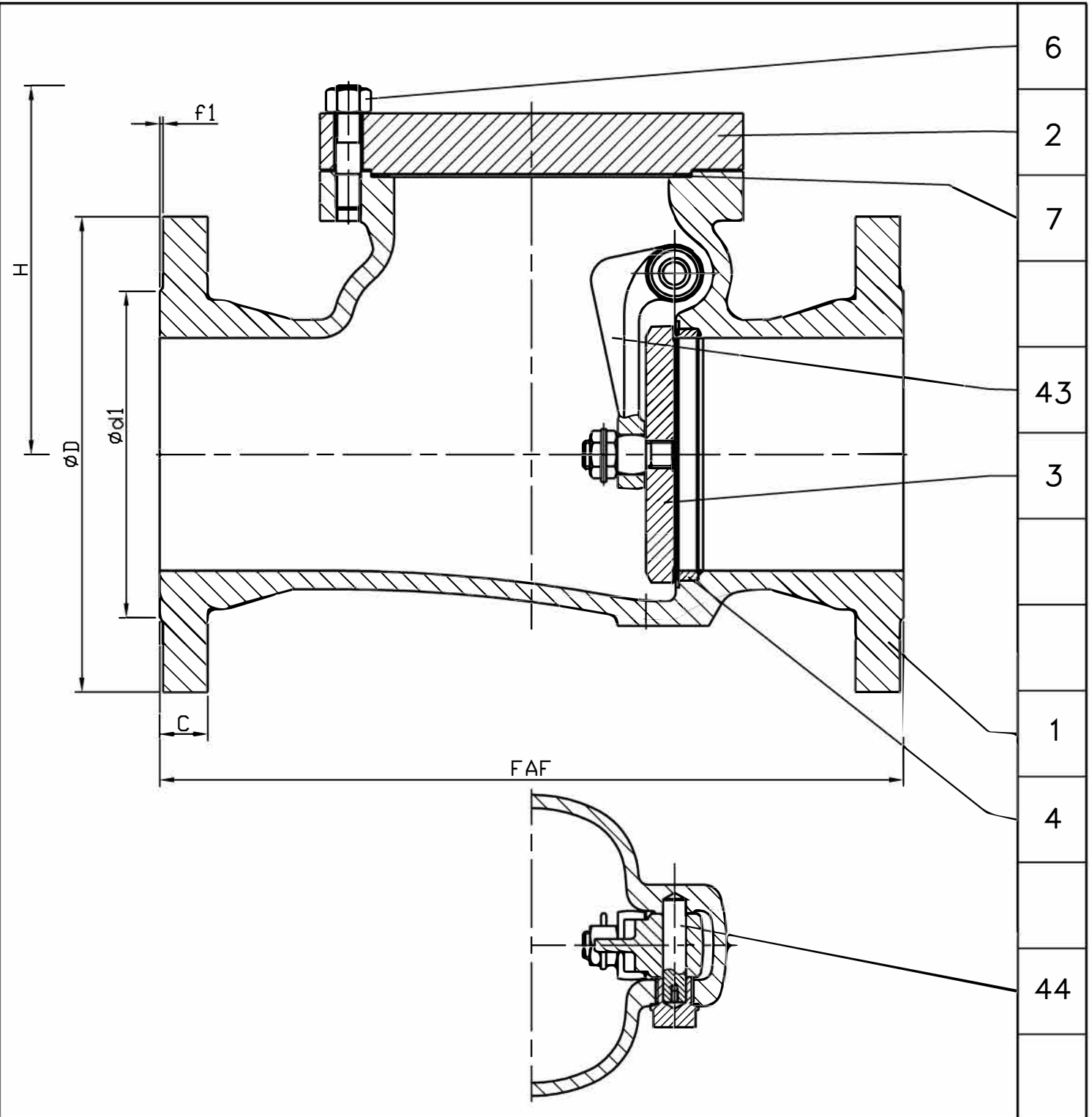


| | | |
|-------------|--------------------------------------------------------------|-----------------------------------------------------------------|
| 44 | Axe d'articulation Hinge pin | Acier inox Z 33 C13 Stainless steel AISI 420 |
| 43 | Levier Hinge lever | Acier A 480 CP-M Steel A 216 Gr WCB |
| 7 | Joint corps/couvercle Body/cover gasket | Spiralé inox graphite Stainless steel graphite spiraled |
| 6 | Boulonnerie Bolting | Acier classe 10/9 Steel A193 Gr.B7/ A 194 Gr.2H |
| 4 | Siège / Portée d'étanchéité Seat / Tightness-seating | Acier TU 52-b / Stellite Gr6 Steel A 106 Gr B / Stellite Gr6 |
| 3 | Obturateur / Portée d'étanchéité Disc / Tightness-seating | Acier P265GH / Stellite Gr6 Steel A 515 Gr 60/ Stellite Gr6 |
| 2 | Chapeau Bonnet | Acier P295GH Steel A 515 Gr 65 |
| 1 | Corps Body | Acier A 480 CP-M Steel A 216 Gr WCB |
| REP MARK | DESIGNATION DESIGNATION | MATIERE (AFNOR) MATERIAL (ASTM/AISI) |

REFERENCES - REFERENCES

Les nuances ASTM/AISI ne figurent qu'à titre indicatif - *ASTM/AISI materials are not contractual*
 Construction - *Construction* : NFE 29.373 (12/84)
 Raccordement - *Connection* : Brides, PN64, svt NFE 29.226 (06/82)
 Classe de pression - *Pressure class* : PN64
 Essais - *Testing* : NFE 29.311 (06/82), taux d'étanchéité 2
 Courbe pression / TC - *Pressure / TC curve* : NFE 29.005 (91), ISO 7005-1 (04/92)

OPTIONS - OPTIONS



| | | | | | | | | | |
|--------------------------------------------------------------------|-----------|-----------|-----------|--|--|--|--|--|--|
| DN | 200 | 250 | 300 | | | | | | |
| Catégorie suivant DESP - Type in accordance with PED : 97/23/CE | C3 | C3 | C3 | | | | | | |
| FAF mm | 650 | 775 | 900 | | | | | | |
| ØD/C mm | 415/42 | 470/46 | 530/52 | | | | | | |
| Nbr/ØTrou/ØPerçage Nbr/ØHole/ØDrilling | 12/36/345 | 12/36/400 | 16/36/460 | | | | | | |
| Ød1/f1 mm | 285/3 | 345/3 | 410/4 | | | | | | |
| H mm | 315 | 375 | 455 | | | | | | |
| Kv | 3276 | 5010 | 7280 | | | | | | |
| Masse - Weight kg | 168 | 250 | 370 | | | | | | |

| | | | | | |
|---------------------------------------------------------------|------------------------------------------------------------------|---------------------|-----------------------|-------------------------|-------------------------------------------------|
| A | 12/11/04 | A.Valentin | A. Lairault | D. Dunoyer | Etablissement du plan/First issue |
| Indice Index | Date Date | Rédigé Issued by | Vérifié Checked by | Approuvé Approved by | Objet de la modification Modification object |
| Titre-Title | CLAPET DE NON RETOUR A BATTANT "Uniclap" SWING CHECK VALVE | | | Figure - Figure | Orifice - Orifice |
| | | | | 4348 09 | 200 à 300 |
| Toute reproduction est interdite, sans l'autorisation de SNRI | | | | | - |

