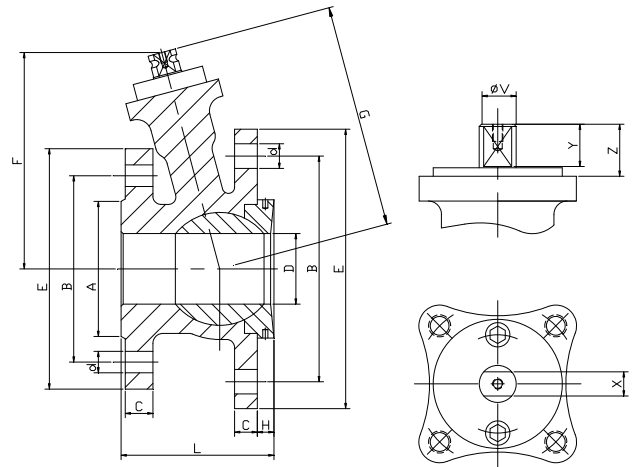
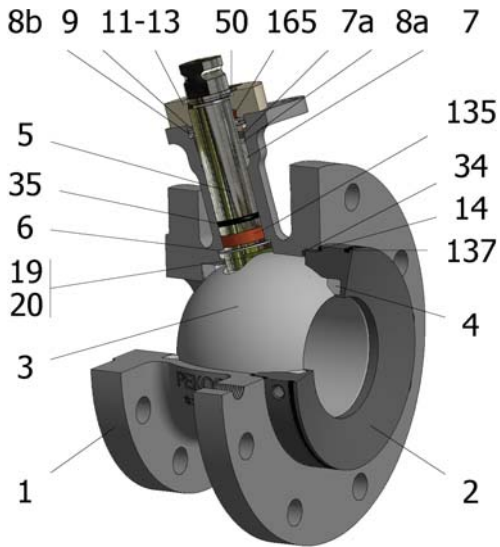


**FIG.ZI 56 RRRVV PN16 DN50/150**



Position	Description	Material
01	Body 1	S.S. 1.4408
02	Body 2	S.S. 1.4401
03	Ball	S.S. 1.4408
04	Seat	PTFE+FG
05	Stem	S.S. 1.4401
06	Stem seal	PTFE+FG
07	Stem packing 1	PTFE+FG
07a	Stem packing 2	Graphite
08a	Gland packing 1	S.S. 1.4401
08b	Gland packing 2	S.S. 1.4401
09	Spring washer	S.S. 1.4310
11	Cover	S.S. 1.4408
13	Cover bolt	A4-70
14	Body seal 1	PTFE+FG
19	Spring	S.S. 1.4401
20	Antistatic ball	S.S. 1.4401
34	Body seal 2	FKM
35	O ring stem	FKM
50	Subjection ring	S.S. 1.4021
135	Stem tip	PTFE+CG
137	O ring body 2	FKM
165	Stem bearing	PTFE+FG

**General features**

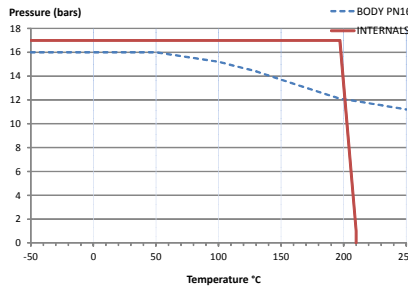
- Floating ball.
- End entry.
- Full bore.
- Soft seat.
- Bidirectional.
- Anti Blow out proof stem.
- Autoadjustable packing.
- Anti static device.
- Self-cavity pressure relief.

**Standards**

- Top flange ISO 5211
- Flanges EN 1092-01
- Testing EN-12266, ISO 5208
- Design EN-12516, ISO 17292, DIN 28140

**Official approvals**

- TA-LUFT VDI 2440
- ISO 15848-1
- ATEX 2014/34/EU
- PED 2014/68/EU
- SIL 3 CAPABLE



**PEKOS GROUP CERTIFICATES:**  
ISO 9001-2008 / 2014/68/EU /API-6D



**DIMENSIONS & Technical information**

DN	PN	D	L	E	A	B	C	F	H	G	V	X	Y	Z	n x d	ISO 5211	Torque	MAST	Weight
50	16	50	111	165/200	102	125/160	18/20	141	20	145	22	17	20	30	4/8 x 18/18	F07	55	250,4	-
80	16	80	144	200/220	138	160/180	20/20	179	25	185	28	22	22	40	8/8 x 18/18	F10	102	522,5	-
100	16	100	169	220/285	158	180/240	20/22	192	25	199	28	22	22	40	8/8 x 18/22	F10	132	522,5	-
150	16	150	281	285/340	212	240/295	22/24	258	30	267	36	27	35	50	8/12 x 22/22	F12	456	1073,4	-

\*\* Depending on service conditions.

\* Dimensions are in mm.

\* Torque & MAST are in Nm.

\* Weight is in Kilogram

\* Torque values have been measured ΔP at maximum rating at room temperature

**DS-2692**  
Rev.4