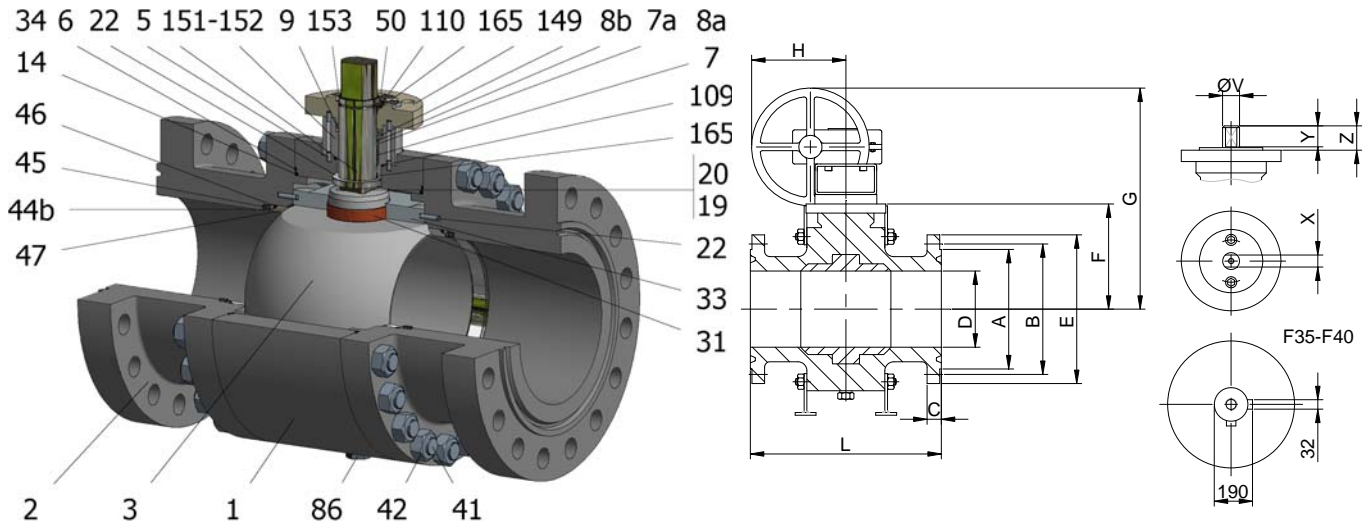


FIG.ZGKMS 909 CGGG CL900 3"-20" RTJ



Position	Description	Material
01	Body 1	C.S. A350 LF2
02	Body 2	C.S. A350 LF2
03	Ball	S.S. F316+Cr-Carbide
05	Stem	XM-19
06	Stem seal	PEEK
07	Stem packing 1	Graphite
08	Gland packing	S.S. AISI 316
09	Spring washer	S.S. AISI 301
13	Cover bolt	S.S. (316)
14	Body seal 1	Graphite
19	Spring	S.S. AISI 316
20	Antistatic ball	S.S. AISI 316
22	Stop pin	S.S. AISI 316
31	Bearing	Carbongraphite
33	Support bearing	S.S. AISI 316
34	Body seal 2	Graphite
41	Stud	A320 L7M
42	Nut	A194 7M
44b	Ring seat 1	S.S. AISI 316
45	Spring seat	Inconel X750
46	Seat seal	Graphite
47	Metal seat	AISI 316+Cr-Carbide
50	Subjection ring	S.S. AISI 304
86	Drain plug	C.S. A350 LF2
86a	Vent plug	C.S. A350 LF2
109	Cover seal	Graphite
110	Subjection ring seal	S.S. AISI 316 Nitrided
149	ISO cover	C.S. A350 LF2
151	Body cover 1	C.S. A350 LF2
152	Body cover bolt	S.S. (316)
153	ISO cover bolt	S.S. (316)
165	Stem bearing	Carbongraphite

General features

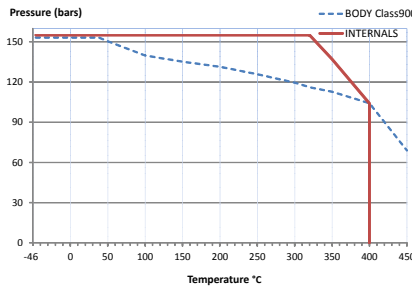
Full trunnion.
Three pieces.
Full bore.
Metal to Metal.
Bidirectional.
Spring loaded seat system.
Anti Blow out proof stem.
Autoadjustable packing.
Anti static device.
Self-cavity pressure relief.
Double Block and Bleed.

Standards

Top flange ISO 5211
Flanges ANSI B16.5
Face to face ANSI B16.10
Testing API 598, API 6D, BS 6755-1
Design AP 6D, B16.34
Materials according to NACE MR0175

Official approvals

CERTIFICATE FIRE SAFE
TA-LUFT VDI 2440
ISO 15848-1
API 6D.
ATEX 2014/34/EU
PED 2014/68/EU
SIL 3 CAPABLE



PEKOS GROUP CERTIFICATES:
ISO 9001-2008 / 2014/68/EU / API-6D



DIMENSIONS & Technical information

DN	CL	D	L	E	A	B	C	F	H	G	V	X	Y	Z	n x d	ISO 5211	Torque	MAST	Weight
3"	900	75	384	240	156	191	46	160	271	481	36	27	35	50	8 x 25	F12	1070	1989,7	105
4"	900	100	460	350	181	280	59	175	271	496	36	27	35	50	8 x 32	F14-1	1670	1989,7	165
6"	900	150	613	470	241	394	71	229	336	611	48	36	40	63	12 x 32	F16-1	3915	4716,2	380
8"	900	201	740	545	308	470	78	295	405	643	60	46	60	73	12 x 38	F25-1	6100	9359,9	640
10"	900	252	841	610	362	533	87	330	430	685	60	46	60	73	16 x 38	F25-1	7740	9359,9	952
12"	900	303	968	640	419	559	94	400	430	755	72	55	70	83	20 x 38	F25	9175	16131,2	1312
14"	900	322	1039	705	467	616	100	438	532	847	100	75	100	115	20 x 41	F30	18610	40731,8	1595
16"	900	373	1140	785	524	686	112	476	**	**	100	75	100	115	20 x 44	F35	20770	27360,0	1962
18"	900	423	1232	855	594	749	121	511	**	**	160	40	160	180	20 x 51	F35	32600	27360,0	2755
20"	900	471	1334	1040	648	902	152	585	**	**	180	**	205	220	20 x 54	F40	45610	57000,0	3752

DS-1407
Rev.2