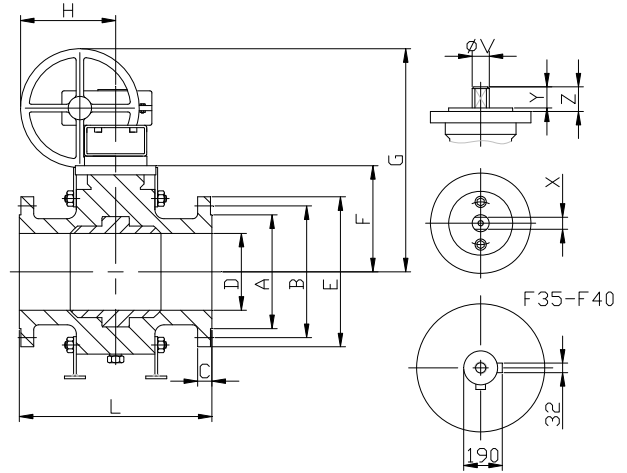
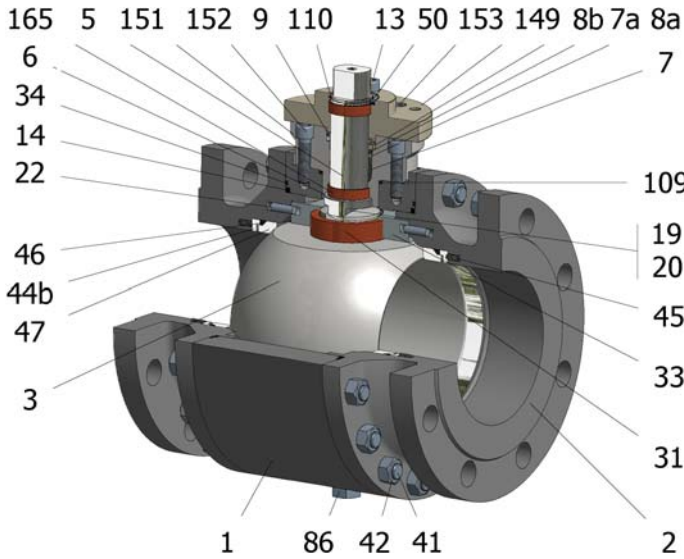


**FIG.ZGKMS 26 CGGG PN40 DN250/500 F1**



Position	Description	Material
01	Body 1	S.S. 1.4401
02	Body 2	S.S. 1.4401
03	Ball	S.S. 1.4401+Cr-Carbide
05	Stem	XM-19
06	Stem seal	S.S. 1.4401 Nitrided
07	Stem packing 1	Graphite
08	Gland packing	S.S. 1.4401
08a	Gland packing 1	S.S. 1.4301
09	Spring washer	S.S. 1.4310
14	Body seal 1	Graphite
19	Spring	S.S. 1.4401
20	Antistatic ball	S.S. 1.4401
22	Stop pin	S.S. 1.4401
31	Bearing	Carbongraphite
33	Support bearing	S.S. 1.4401
34	Body seal 2	Graphite
41	Stud	A4-70
42	Nut	A4-70
44b	Ring seat 2	S.S. 1.4401
45	Spring	Inconel X750
46	Seat seal	Graphite
47	Metal seat	1.4401+Cr-Carbide
50	Subjection ring	S.S. 1.4301
86	Drain plug	S.S. 1.4401
86a	Vent plug	S.S. 1.4401
109	Cover seal	Graphite
110	Subjection ring seal	S.S. 1.4401 Nitrided
149	ISO cover	S.S. 1.4401
151	Body cover 1	S.S. 1.4401
152	Body cover bolt	A4-70
153	ISO cover bolt	A4-70
165	Stem bearing	Carbongraphite

**General features**

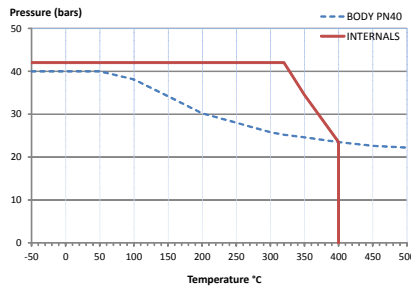
Full trunnion.  
Three pieces.  
Full bore.  
Metal to Metal.  
Bidirectional.  
Spring loaded seat system.  
Anti Blow out proof stem.  
Autoadjustable packing.  
Anti static device.  
Self-cavity pressure relief.  
Double Block and Bleed.

**Standards**

Top flange ISO 5211  
Flanges EN 1092-01  
Face to face EN 558  
Testing EN-12266, ISO 5208  
Design EN-12516, ISO 17292

**Official approvals**

CERTIFICATE FIRE SAFE  
TA-LUFT VDI 2440  
ISO 15848-1  
ATEX 2014/34/EU  
PED 2014/68/EU  
SIL 3 CAPABLE



**PEKOS GROUP CERTIFICATES:**  
ISO 9001-2008 / 2014/68/EU / API-6D



**DIMENSIONS & Technical information**

DN	PN	D	L	E	A	B	C	F	H	G	V	X	Y	Z	n x d	ISO 5211	Torque	MAST	Weight
250	40	252	730	450	345	385	38	301	355	689	48	36	40	63	12 x 33	F16-1	3230	4716,2	463
300	40	303	850	515	410	450	42	374	355	792	60	46	60	73	16 x 33	F16	3940	9359,9	616
350	40	334	980	580	465	510	46	406	430	881	60	46	60	68	16 x 36	F25-1	6700	9359,9	828
400	40	385	1100	660	535	585	50	440	532	1029	72	55	70	83	16 x 39	F30-1	8970	16131,2	1068
450	40	436	1200	685	560	610	57	487	532	1076	72	55	70	83	20 x 39	F30-1	12840	16131,2	2038
500	40	487	1250	755	615	670	57	534	613	1144	72	55	70	83	20 x 42	F30-1	16830	16131,2	2516

\*\* Depending on service conditions.

\* Dimensions are in mm.

\* Torque & MAST are in Nm.

\* Weight is in Kilogram

\* Torque values have been measured ΔP at maximum rating at room temperature

**DS-585**  
Rev.4