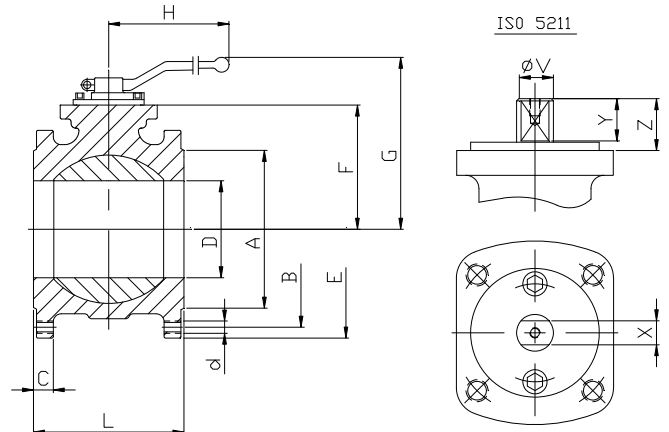
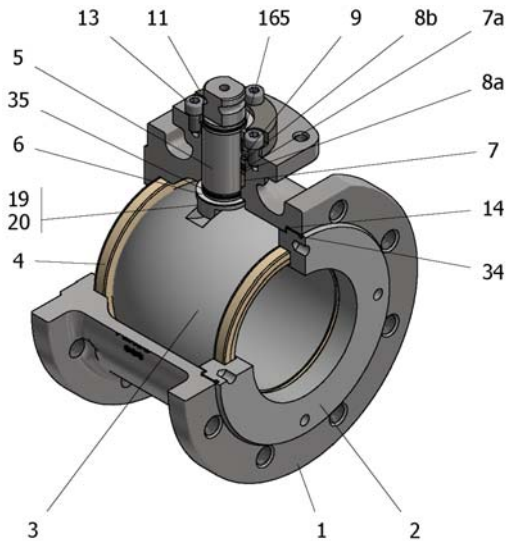


## FIG.Z 94 TTTGV PN16 DN100



Position	Description	Material
01	Body 1	C.S. 1.0619
02	Body 2	C.S. 1.0352
03	Ball	S.S. 1.4408
04	Seat	PTFE
05	Stem	S.S. 1.4401
06	Stem seal	PTFE+FG
07	Stem packing	PTFE
07a	Stem packing 1	Graphite
08a	Gland packing 1	S.S. 1.4401
08b	Gland packing 2	S.S. 1.4401
09	Spring washer	S.S. 1.4310
11	Cover	S.S. 1.4408
13	Cover bolt	A4-70
14	Body seal 1	PTFE
16	Handle	WCB
17	Handle bolt	1.045(8.8)
19	Spring	S.S. 1.4401
20	Antistatic ball	S.S. 1.4401
34	Body seal 2	Graphite
35	O ring stem	FKM
165	Stem guide seal	PTFE+FG

### General features

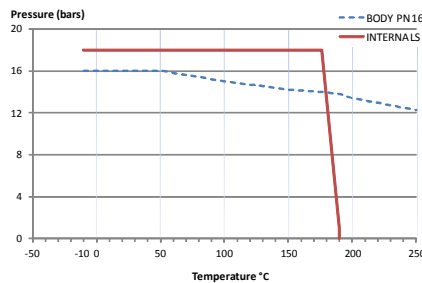
Short measure  
Fire Safe Design  
Floating ball.  
End entry.  
Full bore.  
Soft seat.  
Bidirectional.  
Anti Blow out proof stem.  
Autoadjustable packing.  
Anti static device.  
Self-cavity pressure relief.

### Standards

Top flange ISO 5211  
Flanges EN 1092-01  
Testing EN-12266, ISO 5208  
Design EN-12516, ISO 17292,  
DIN 28140  
Face to face EN 558 serie 100

### Official approvals

CERTIFICATE FIRE SAFE  
TA-LUFT VDI 2440  
ISO 15848-1  
ATEX 2014/34/EU  
PED 2014/68/EU  
SIL 3 CAPABLE



### PEKOS GROUP CERTIFICATES:

ISO 9001-2008 / 2014/68/EU /API-6D



### DIMENSIONS & Technical information

DN	PN	D	L	E	A	B	C	F	H	G	V	X	Y	Z	n x d	ISO 5211	Torque	MAST	Weight
100	16	98	150	210	163	180	20	125	450	200	28	22	22	40	8 x M16	F10	110	522,5	-

\*\* Depending on service conditions.

\* Dimensions are in mm.

\* Torque & MAST are in Nm.

\* Weight is in Kilogram

\* Torque values have been measured  $\Delta P$  at maximum rating at room temperature

DS-4327  
Rev.1