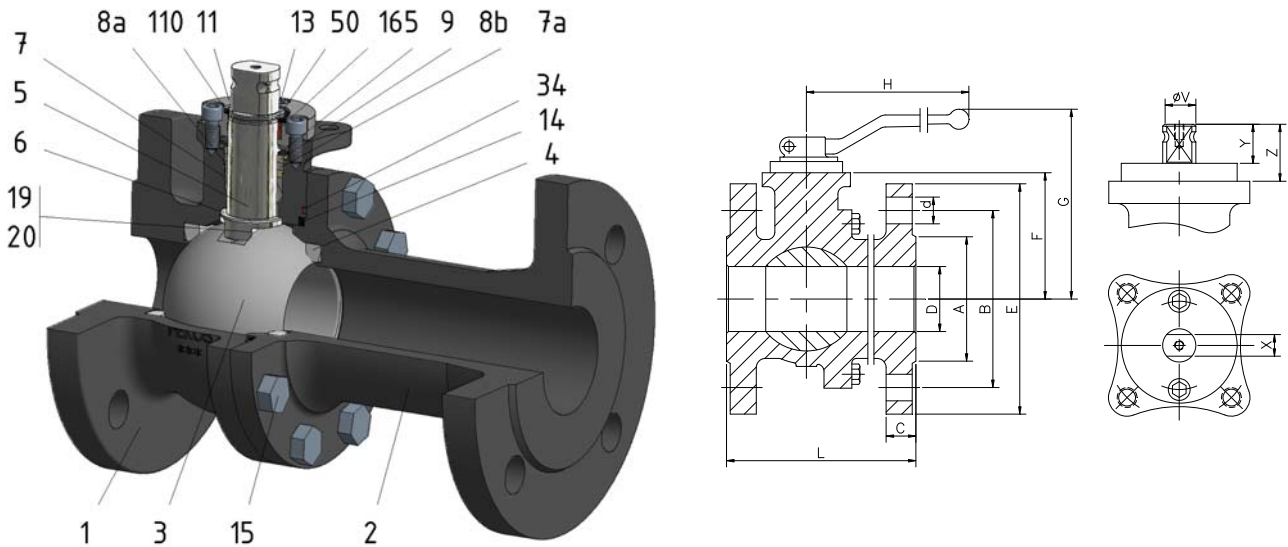


FIG.Z 24 TTTG PN16 DN15-200 F1



Position	Description	Material
01	Body 1	C.S. 1.0619
02	Body 2	C.S. 1.0619
03	Ball	S.S. 1.4408
04	Seat	PTFE
05	Stem	S.S. 1.4401
06	Stem seal	PTFE+FG
07	Stem packing 1	PTFE
07a	Stem packing 2	Graphite
08a	Gland packing 1	S.S. 1.4401
08b	Gland packing 2	S.S. 1.4401
09	Spring washer	S.S. 1.4310
11	Cover	S.S. 1.4408
13	Cover bolt	A4-70
14	Body seal 1	PTFE
15	Body bolt	A2-70
16	Handle	WCB
17	Handle bolt	1.045(8.8)
19	Spring	S.S. 1.4401
20	Antistatic ball	S.S. 1.4401
34	Body seal 2	Graphite
50	Subjection ring	S.S. 1.4021
110	Subjection ring seal	S.S. 1.4401 Nitrided
165	Stem bearing	PTFE+FG

General features

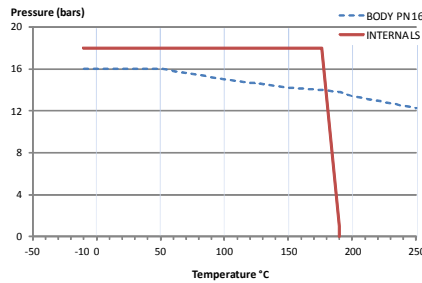
Floating ball.
 Split body.
 Full bore.
 Soft seat.
 Bidirectional.
 Anti Blow out proof stem.
 Autoadjustable packing.
 Anti static device.
 Self-cavity pressure relief.

Standards

Top flange ISO 5211
 Flanges EN 1092-01
 Face to face EN 558
 Testing EN-12266, ISO 5208
 Design EN-12516, ISO 17292

Official approvals

CERTIFICATE FIRE SAFE
 TÜV.AD-MERKBLATT A4
 TA-LUFT VDI 2440
 ISO 15848-1
 ATEX 2014/34/EU
 PED 2014/68/EU
 EN 161/EN ISO 23553-1
 SIL 3 CAPABLE



PEKOS GROUP CERTIFICATES:

ISO 9001-2008 / 2014/68/EU / API-6D



DIMENSIONS & Technical information

DN	PN	D	L	E	A	B	C	F	H	G	V	X	Y	Z	n x d	ISO 5211	Torque	MAST	Weight
15	16	15	130	95	45	65	16	51	185	105	14	11	11	13,5	4 x 14	F05	8	43,5	3,2
20	16	20	150	105	58	75	18	53	185	107	14	11	11	13,5	4 x 14	F05	10	43,5	4,2
25	16	25	160	115	68	85	18	59	185	113	18	14	17	19,5	4 x 14	F05	14	94,5	5,2
32	16	32	180	140	78	100	18	64	185	118	18	14	17	19,5	4 x 18	F05	23	94,5	7,1
40	16	40	200	150	88	110	18	75	293	145	22	17	20	30	4 x 18	F07	31	250,4	9,2
50	16	50	230	165	102	125	18	83	293	153	22	17	20	30	4 x 18	F07	46	250,4	12,8
65	16	65	290	185	122	145	18	96	293	166	22	17	20	30	8 x 18	F07	55	250,4	19,7
80	16	80	310	200	138	160	20	114	350	205	28	22	22	40	8 x 18	F10	85	522,5	26,0
100	16	100	350	220	158	180	20	128	350	220	28	22	22	40	8 x 18	F10	110	522,5	34,5
125	16	125	400	250	188	210	22	158	740	267	36	27	35	50	8 x 18	F12	240	1073,4	68,3
150	16	150	480	285	212	240	22	175	740	284	36	27	35	50	8 x 22	F12	380	1073,4	94,0
200	16	200	600	340	268	295	24	245	750	362	48	36	40	63	12 x 22	F14	540	2544,3	163,5

** Depending on service conditions.

* Dimensions are in mm.

* Torque & MAST are in Nm.

* Weight is in Kilogram

* Torque values have been measured ΔP at maximum rating at room temperature

DS-241
 Rev.7