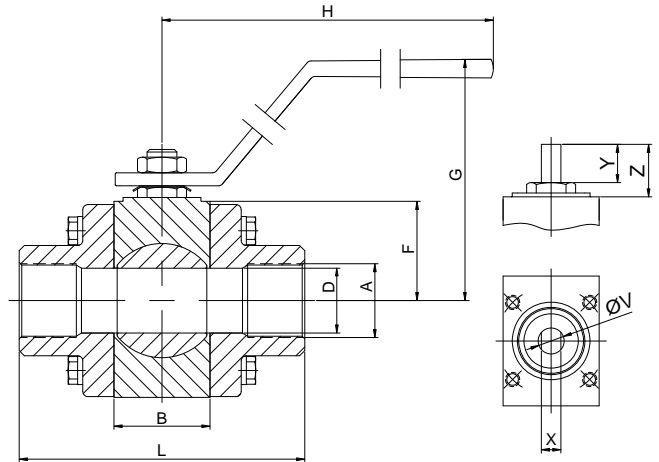
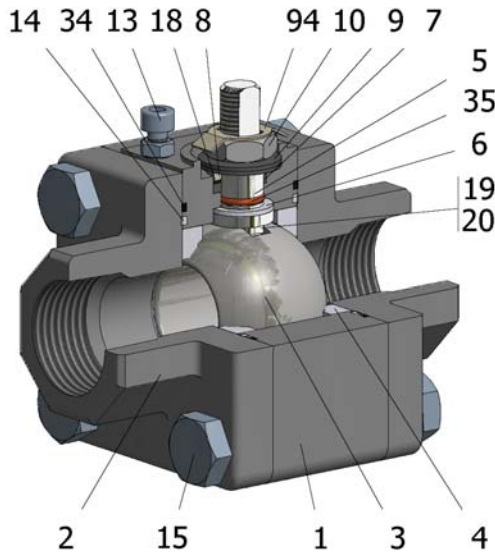


FIG.K 809 SGSGV CL800 1/4"-1 1/2" BSPP



Position	Description	Material
01	Body 1	C.S. A350 LF2/A-105
02	Body 2	C.S. A350 LF2/A-105
03	Ball	A182 F316/316L
04	Seat	PTFE+CG
05	Stem	S.S. AISI 316/316L
06	Stem seal	PTFE+CG
07	Stem packing 1	Graphite
08	Gland packing	S.S. AISI 316
09	Spring washer	S.S. AISI 301
10	Stem nut	S.S. AISI 304
13	Stop bolt	S.S. (316)
14	Body seal 1	PTFE+CG
15	Body bolt	A320 L7M
16	Handle	PAINTED C.S.
18	Thrust washer	PTFE+CG
19	Spring	S.S. AISI 316
20	Antistatic ball	S.S. AISI 316
34	Body seal 2	Graphite
35	O ring stem	FKM
94	Stop washer	S.S. AISI 301

General features

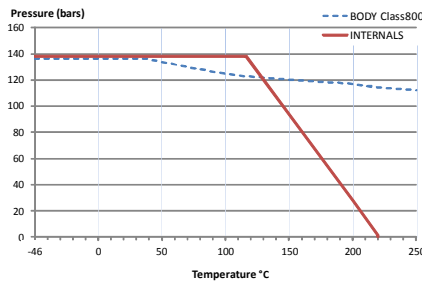
Three pieces.
Full bore.
Soft seat.
Bidirectional.
Anti Blow out proof stem.
Autoadjustable packing.
Anti static device.
Self-cavity pressure relief.
Allows in-line maintenance

Standards

Top flange ISO 5211
Threaded ends BSPP
Materials according to NACE MR0175
Design B16.34
Testing API 598, BS 6755-1

Official approvals

CERTIFICATE FIRE SAFE
ATEX 2014/34/EU
PED 2014/68/EU
SIL 3 CAPABLE



PEKOS GROUP CERTIFICATES:

ISO 9001-2008 / 2014/68/EU / API-6D



DIMENSIONS & Technical information

DN	CL	D	L	E	A	B	C	F	H	G	V	X	Y	Z	n x d	ISO 5211	Torque	MAST	Weight
1/4"	800	11	75	-	1/4"	19	-	31	145	82	10	5,5	7	9	- x -	F03	9	17,0	1,0
3/8"	800	11	75	-	3/8"	19	-	31	145	82	10	5,5	7	9	- x -	F03	9	17,0	1,0
1/2"	800	15	80	-	1/2"	21	-	34	145	85	10	5,5	8	10	- x -	F03	12	17,0	1,2
3/4"	800	21	100	-	3/4"	28	-	39	180	101	12	7,5	13	15	- x -	F04	18	34,1	2,2
1"	800	25	110	-	1"	37	-	38	180	105	12	7,5	14	20	- x -	F04	25	34,1	3,1
1 1/4"	800	32	120	-	1 1/4"	44	-	41	220	108	15	9	21	28	- x -	F05	30	64,7	4,5
1 1/2"	800	38	140	-	1 1/2"	51	-	47	220	110	15	9	18	28	- x -	F05	35	64,7	5,5

** Depending on service conditions.

* Dimensions are in mm.

* Torque & MAST are in Nm

* Weight is in Kilogram

* Torque values have been measured ΔP at maximum rating at room temperature

DS-329
Rev.13