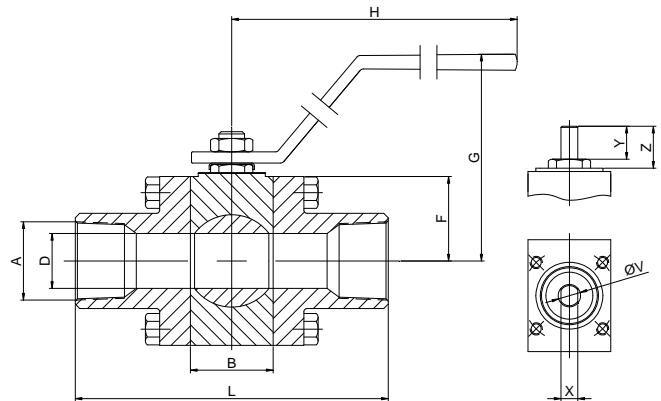
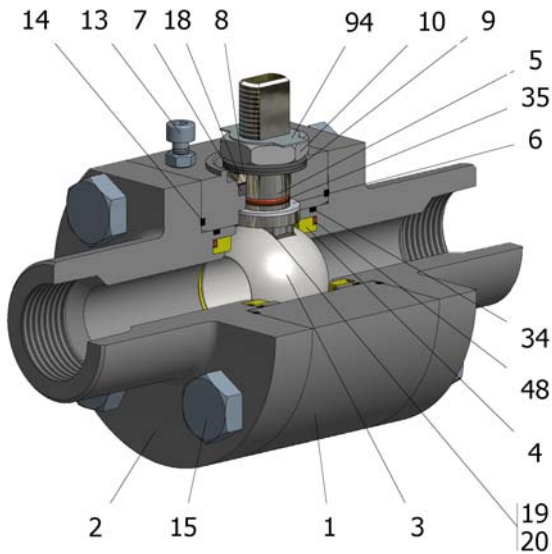


FIG.K 256 NGGVV CL2500 1/4"-1" NPT



Position	Description	Material
01	Body 1	A182 F316/316L
02	Body 2	A182 F316/316L
03	Ball	A182 F316/316L
04	Seat	DEVLON V
05	Stem	S.S. AISI 316/316L
06	Stem seal	PEEK
07	Stem packing 1	Graphite
08	Gland packing	S.S. AISI 316
09	Spring washer	S.S. AISI 301
10	Stem nut	S.S. AISI 304
13	Cover bolt	S.S. (316)
14	Body seal 1	Graphite
15	Body bolt	A193 B8M
16	Handle	WCB
17	Handle bolt	1.045(8.8)
18	Thrust washer	PTFE+CG
19	Spring	S.S. AISI 316
20	Antistatic ball	S.S. AISI 316
34	Body seal 2	FKM
35	O ring stem	FKM
48	O ring spring	FKM
94	Stop washer	S.S. AISI 304

General features

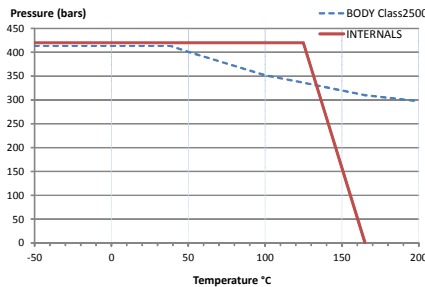
Floating ball.
Three pieces.
Full bore.
Soft seat.
Bidirectional.
Anti Blow out proof stem.
Autoadjustable packing.
Anti static device.
Self-cavity pressure relief.

Standards

Top flange ISO 5211
Threaded ends NPT
Materials according to NACE MR0175
Design B16.34
Testing API 598, BS 6755-1

Official approvals

CERTIFICATE FIRE SAFE
ATEX 2014/34/EU
PED 2014/68/EU
SIL 3 CAPABLE



PEKOS GROUP CERTIFICATES:

ISO 9001-2008 / 2014/68/EU / API-6D



DIMENSIONS & Technical information

DN	CL	D	L	E	A	B	C	F	H	G	V	X	Y	Z	n x d	ISO 5211	Torque	MAST	Weight
1/4"	2500	11,1	100	-	1/4"	34	-	31	180	98	12	7,5	10	14	- x -	F03	14	17,0	13,0
3/8"	2500	11,1	100	-	3/8"	34	-	31	180	98	12	7,5	10	14	- x -	F03	14	17,0	13,0
1/2"	2500	11,1	100	-	1/2"	34	-	31	180	98	12	7,5	10	14	- x -	F03	14	17,0	13,0
3/4"	2500	15,5	127	-	3/4"	37	-	41	180	108	12	7,5	11	12	- x -	F04	26	34,1	21,0
1"	2500	21	140	-	1"	44	-	46	220	109	15	9	17	21	- x -	F05	37	64,7	25,5

* Depending on service conditions.

* Dimensions are in mm.

* Torque & MAST are in Nm

* Weight is in Kilogram

* Torque values have been measured ΔP at maximum rating at room temperature

DS-1131

Rev.10