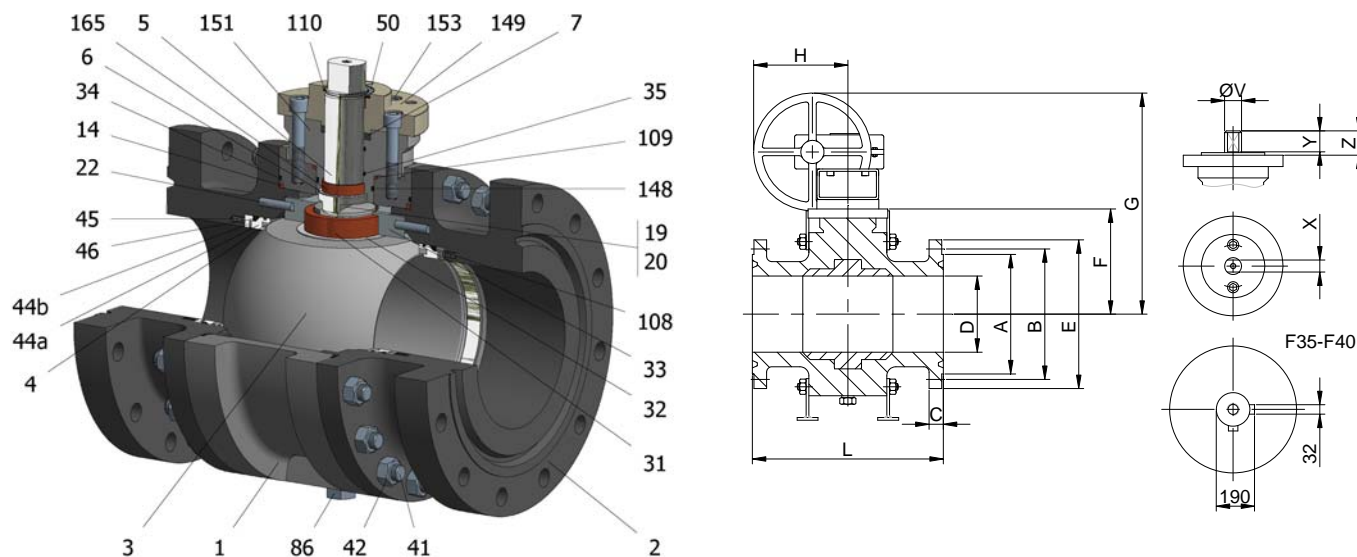


FIG.GKS 34 SGSGV CL300 4"-24" RTJ



Position	Description	Material
01	Body 1	C.S. A-105
02	Body 2	C.S. A-105
03	Ball	A182 F316
04	Seat	PTFE+CG
05	Stem	A182 F51
06	Stem seal	PTFE+CG
07	Stem packing 1	Graphite
14	Body seal 1	PTFE+CG
19	Spring	Inconel X750
20	Antistatic ball	Inconel 625
22	Stop pin	S.S. AISI 316
31	Bearing	MU
32	Bearing disk	PTFE+FG
33	Support bearing	S275JR+ENP
34	Body seal 2	Graphite
35	O ring stem	FKM
41	Stud	A320 L7M
42	Nut	A194 7M
44a	Ring seat 1	S.S. AISI 316
44b	Ring seat 2	S.S. AISI 316
45	Spring	Inconel X750
46	Seat seal	Graphite
50	Subjection ring	S.S. AISI 420
86	Drain plug	C.S. A350 LF2
86a	Vent plug	C.S. A350 LF2
108	O ring seat	FKM
109	Cover seal	Graphite
110	Subjection ring seal	S.S. AISI 316 Nitrided
148	O ring cover	FKM
149	ISO cover	C.S. A-105
151	Body cover 1	C.S. A-105
152	Body cover bolt	S.S. (316)
153	ISO cover bolt	S.S. (316)
165	Stem bearing	PTFE+FG

General features

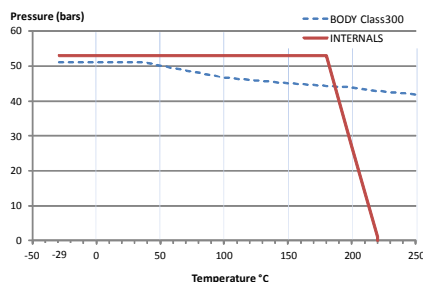
Full trunnion.
Three pieces.
Full bore.
Soft seat.
Bidirectional.
Spring loaded seat system.
Anti Blow out proof stem.
Anti static device.
Self-cavity pressure relief.
Double Block and Bleed.

Standards

Top flange ISO 5211
Flanges ANSI B16.5
Face to face ANSI B16.10
Design API 6D, B16.34
Testing API 598, API 6D, BS 6755-1
Materials according to NACE MR0175

Official approvals

CERTIFICATE FIRE SAFE
TA-LUFT VDI 2440
ISO 15848-1
ATEX 2014/34/EU
API 6D.
PED 2014/68/EU
SIL 3 CAPABLE



PEKOS GROUP CERTIFICATES:
ISO 9001-2008 / 2014/68/EU / API-6D



DIMENSIONS & Technical information

DN	CL	D	L	E	A	B	C	F	H	G	V	X	Y	Z	n x d	ISO 5211	Torque	MAST	Weight
4"	300	100	321	255	175	200	33	147	271	468	28	22	22	40	8 x 22	F10	490	1146,9	76,5
6"	300	150	419	320	241	270	38	210	336	582	36	27	35	50	12 x 22	F12	990	2356,2	138
8"	300	201	435	380	302	330	43	265	436	643	48	36	40	63	12 x 25	F14	1550	5585,0	239
10"	300	252	473	445	356	387	49	301	436	679	48	36	40	63	16 x 29	F14	2020	5585,0	437
12"	300	303	664	520	413	451	52	374	461	679	60	46	60	73	16 x 32	F16	2450	11084,1	729
14"	300	334	778	585	457	514	57	393	461	698	60	46	60	73	20 x 32	F16	4165	11084,1	928
16"	300	385	854	650	508	572	60	433	563	792	60	46	60	73	20 x 35	F16	5500	11084,1	1200
18"	300	436	930	710	575	629	62	500	563	859	72	55	70	83	24 x 35	F25	8100	19102,7	1550
20"	300	487	1010	775	635	686	64	534	578	893	72	55	70	83	24 x 35	F25	10800	19102,7	2200
24"	300	589	1165	915	749	813	70	667	606	1103	120	32	67	200	24 x 41	F35	20500	32400,0	3730

DS-1178
Rev.3