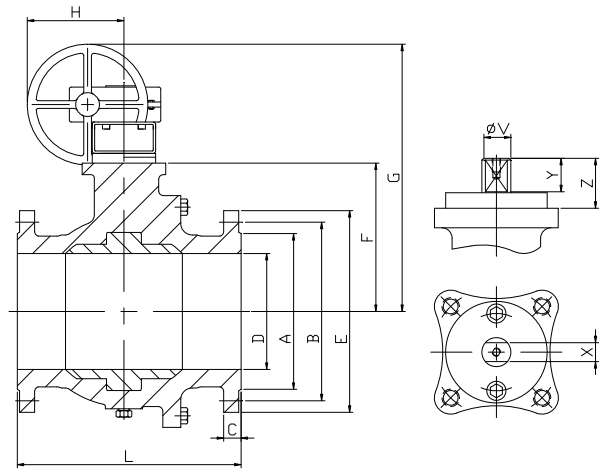
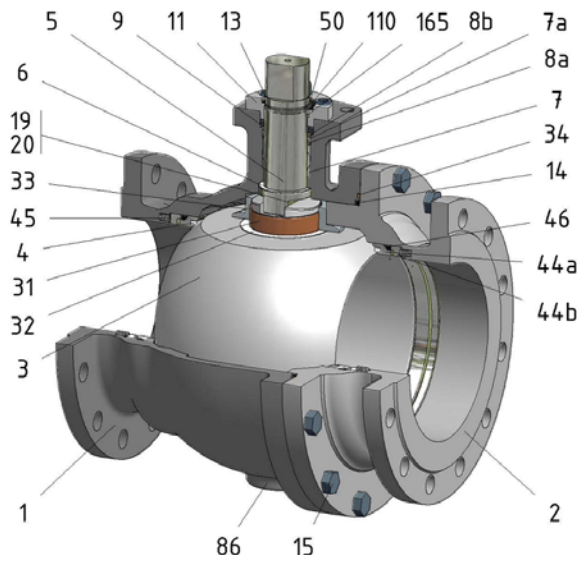


## FIG.ZGS 04 SSSG PN16 DN150-300 F5



Position	Description	Material
01	Body 1	C.S. 1.0619
02	Body 2	C.S. 1.0619
03	Ball	S.S. 1.4408
04	Seat	PTFE (modified)+CG
05	Stem	D.S.S. 1.4462
06	Stem seal	PTFE (modified)+CG
07	Stem packing 1	PTFE (modified)+CG
07a	Stem packing 2	Graphite
08a	Gland packing 1	S.S. 1.4401
08b	Gland packing 2	S.S. 1.4401
09	Spring washer	S.S. 1.4310
11	Cover	S.S. 1.4408
13	Cover bolt	A4-70
14	Body seal 1	PTFE (modified)+CG
15	Body bolt	A2-70
19	Spring	Inconel X750
20	Antistatic ball	Inconel 625
31	Bearing	PTFE (modified)
32	Bearing disk	PTFE (modified)+FG
33	Support bearing	S.S. 1.4401
34	Body seal 2	Graphite
44a	Ring seat 1	S.S. 1.4401
44b	Ring seat 2	S.S. 1.4401
45	Spring seat	Inconel X750
46	Seat seal	Graphite
50	Subjection ring	S.S. 1.4021
86	Drain plug	C.S. A350 LF2
86a	Vent plug	C.S. A350 LF2
110	Subjection ring seal	S.S. 1.4401 Nitrided
165	Stem bearing	PTFE (modified)+FG

### General features

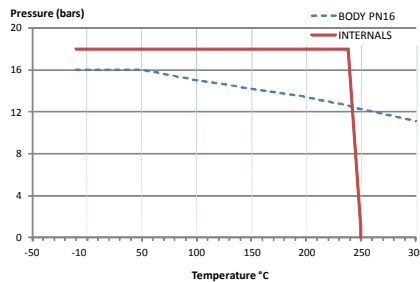
Full trunnion.  
Split body.  
Full bore.  
Soft seat.  
Bidirectional.  
Spring loaded seat system.  
Anti Blow out proof stem.  
Autoadjustable packing.  
Anti static device.  
Self-cavity pressure relief.  
Double Block and Bleed.

### Standards

Top flange ISO 5211  
Flanges EN 1092-01  
Face to face EN 558  
Testing EN-12266, ISO 5208  
Design EN-12516, ISO 17292

### Official approvals

CERTIFICATE FIRE SAFE  
TA-LUFT VDI 2440  
ISO 15848-1  
ATEX 2014/34/EU  
PED 2014/68/EU  
SIL 3 CAPABLE



### PEKOS GROUP CERTIFICATES:



### DIMENSIONS & Technical information

DN	PN	D	L	E	A	B	C	F	H	G	V	X	Y	Z	n x d	ISO 5211	Torque	MAST	Weight
150	16	150	350	285	212	240	22	176	270	483	36	27	35	50	8 x 22	F12	590	2356,2	77
200	16	200	400	340	268	295	24	245	350	635	48	36	40	63	12 x 22	F14	925	5585,0	134
250	16	250	450	405	320	355	26	285	350	675	48	36	40	63	12 x 26	F14	1250	5585,0	228
300	16	300	500	460	378	410	28	329	400	801	48	36	40	63	12 x 26	F14	1555	5585,0	321

\*\* Depending on service conditions.

\* Dimensions are in mm.

\* Torque & MAST are in Nm.

\* Weight is in Kilogram

\* Torque values have been measured ΔP at maximum rating at room temperature

DS-1055  
Rev.7