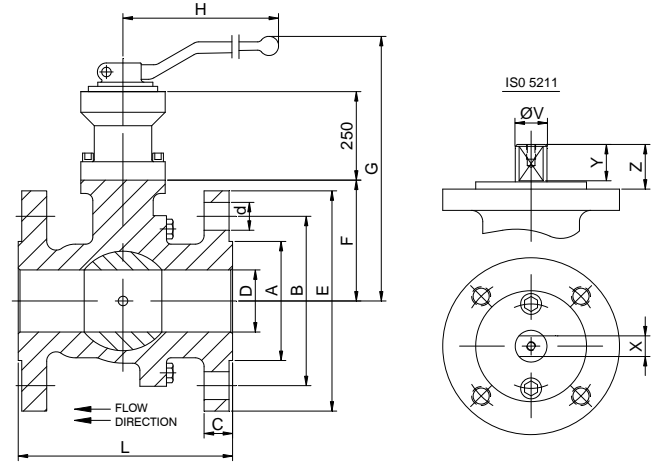
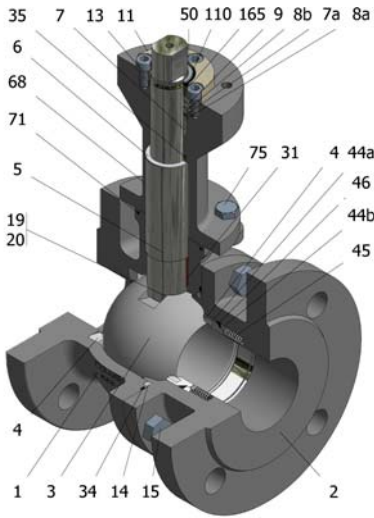


FIG.ZFOSU 06 KTTGN PN40 DN15-125 F4-F5



Position	Description	Material
01	Body 1	S.S. 1.4408
02	Body 2	S.S. 1.4408
03	Ball	S.S. 1.4408
04	Seat	PTCFE
05	Stem	XM-19
06	Stem seal	PTCFE
07	Stem packing 1	PTFE (modified)
07a	Stem packing 2	Graphite
08a	Gland packing 1	S.S. 1.4401
08b	Gland packing 2	S.S. 1.4401
09	Spring washer	S.S. 1.4310
11	Cover	S.S. 1.4408
13	Cover bolt	A4-70
14	Body seal 1	PTFE (modified)
15	Body bolt	A4-70
16	Handle	WCB
17	Handle bolt	1.045(8.8)
19	Spring	S.S. 1.4401
20	Antistatic ball	S.S. 1.4401
31	Bearing	MU-316
34	Body seal 2	Graphite
35	O ring stem	NBR
44a	Ring seat 1	S.S. 1.4401
44b	Ring seat 2	S.S. 1.4401
45	Spring seat	Inconel X750
46	Seat seal	Graphite
50	Subjection ring	S.S. 1.4301
68	Stem extension casing	S.S. 1.4401
71	Extension seal	Graphite
75	Extension bolt	A4-70
110	Subjection ring seal	S.S. 1.4401 Nitrided
165	Stem bearing	PTFE (modified)+FG

General features

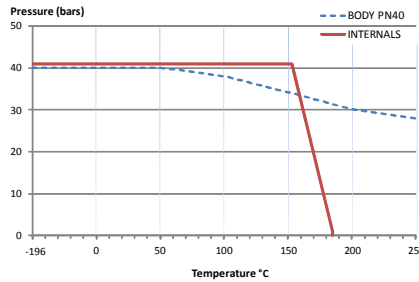
- Floating ball.
- Cryogenic.
- Split body.
- Full bore.
- Soft seat.
- Unidirectional.
- Spring loaded seat system.
- Anti Blow out proof stem.
- Autoadjustable packing.
- Anti static device.
- Self-cavity pressure relief.
- Degreased

Standards

- Top flange ISO 5211
- Flanges EN 1092-01
- Face to face EN 558
- Design EN-12516, ISO 17292
- Testing EN-12266, ISO 5208

Official approvals

- CERTIFICATE FIRE SAFE
- CRYOGENIC
- TA-LUFT VDI 2440
- ISO 15848-1
- ATEX 2014/34/EU
- PED 2014/68/EU
- SIL 3 CAPABLE



PEKOS GROUP CERTIFICATES:
 ISO 9001-2008 / 2014/68/EU / API-6D



DIMENSIONS & Technical information

DN	PN	D	L	E	A	B	C	F	H	G	V	X	Y	Z	n x d	ISO 5211	Torque	MAST	Weight
15	40	15	115	95	45	65	16	51	185	364	14	11	11	13,5	4 x 14	F05	26	80,6	4
20	40	20	120	105	58	75	18	53	185	366	14	11	11	13,5	4 x 14	F05	29	80,6	5
25	40	25	125	115	68	85	18	59	185	372	18	14	17	19,5	4 x 14	F05	37	175,2	6
32	40	32	130	140	78	100	18	64	185	377	18	14	17	19,5	4 x 18	F05	62	175,2	8
40	40	40	140	150	88	110	18	75	293	395	22	17	20	30	4 x 18	F07	83	464,1	10
50	40	50	150	165	102	125	20	83	293	403	22	17	20	30	4 x 18	F07	134	464,1	15
65	40	65	170	185	122	145	22	96	293	416	22	17	20	30	8 x 18	F07	176	464,1	21
80	40	80	180	200	138	160	24	114	350	457	28	22	22	40	8 x 18	F10	270	968,5	28
100	40	100	190	235	162	190	24	128	350	471	28	22	22	40	8 x 22	F10	396	968,5	37
125	40	125	325	270	188	220	26	158	680	517	36	27	35	50	8 x 26	F12	728	1989,7	69

** Depending on service conditions. * Dimensions are in mm. * Torque & MAST are in Nm. * Weight is in Kilogram
 * Torque values have been measured ΔP at maximum rating at room temperature

DS-1855
 Rev.4