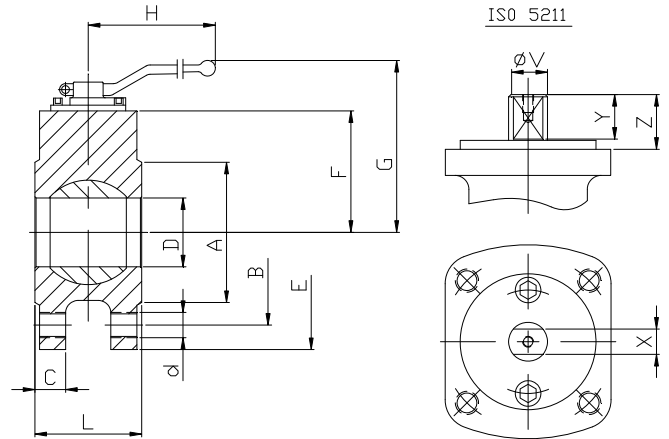
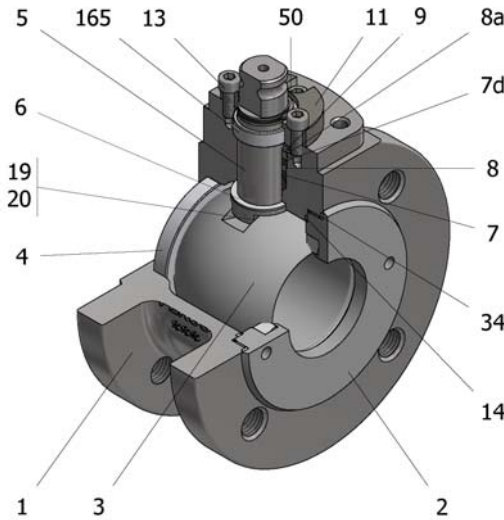


## FIG.Z 94 TTTGV PN16/PN40 DN20-DN80



Position	Description	Material
01	Body 1	C.S. 1.0619
02	Body 2	C.S. 1.0352
03	Ball	S.S. 1.4408
04	Seat	PTFE (modified)
05	Stem	S.S. 1.4401
06	Stem seal	PTFE (modified)+FG
07	Stem packing	PTFE (modified)
07d	Stem packing d	Graphite
08	Gland packing	S.S. 1.4401
08a	Gland packing a	S.S. 1.4401
09	Spring washer	S.S. 1.4310
11	Cover	S.S. 1.4408
13	Cover bolt	A4-70
14	Body seal 1	PTFE (modified)
16	Handle	WCB
17	Handle bolt	1.045(8.8)
19	Spring	S.S. 1.4401
20	Antistatic ball	S.S. 1.4401
34	Body seal 2	Graphite
35	O ring stem	FKM
50	Subjection ring	S.S. 1.4021
165	Stem guide seal	PTFE (modified)+FG

### General features

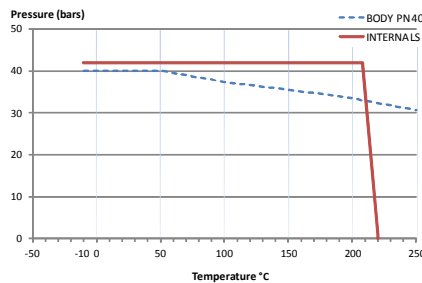
Fire Safe Design  
Floating ball.  
End entry.  
Full bore.  
Soft seat.  
Bidirectional.  
Anti Blow out proof stem.  
Autoadjustable packing.  
Anti static device.  
Self-cavity pressure relief.  
Short measure

### Standards

Top flange ISO 5211  
Flanges EN 1092-01  
Testing EN-12266, ISO 5208  
Design EN-12516, ISO 17292,  
DIN 28140  
Face to face EN 558 serie 100

### Official approvals

CERTIFICATE FIRE SAFE  
TA-LUFT VDI 2440  
ISO 15848-1  
ATEX 2014/34/EU  
PED 2014/68/EU  
SIL 3 CAPABLE



### PEKOS GROUP CERTIFICATES:

ISO 9001-2008 / 2014/68/EU /API-6D



### DIMENSIONS & Technical information

DN	PN	D	L	E	A	B	C	F	H	G	V	X	Y	Z	n x d	ISO 5211	Torque	MAST	Weight
15	40	15	35	102	45	65	-	44,5	185	104	14	11	11	14	4 x M12	F05/1	12	94,5	2
20	40	20	39	105	60	75	-	53	185	113	14	11	11	14	4 x M12	F05/1	14	94,5	2
25	40	25	44	115	68	85	18	56	185	116	14	11	11	14	4 x M12	F05/1	18	94,5	3
32	40	32	52	142	76	100	18	64	185	123	18	14	17	20	4 x M16	F05/2	30	94,5	5
40	40	40	64	150	88	110	18	75	293	139	22	17	20	30	4 x M16	F07	40	250,3	6
50	40	50	83	165	102	125	20	83	293	147	22	17	20	30	4 x M16	F07	65	250,3	7
65	40	65	105	185	122	145	22	95	293	159	22	17	20	30	8 x M16	F07	85	250,3	10
80	40	80	121	200	138	160	24	112	450	198	28	22	22	40	8 x M16	F10	130	522,5	14

\*\* Depending on service conditions.

\* Dimensions are in mm.

\* Torque & MAST are in Nm.

\* Weight is in Kilogram

\* Torque values have been measured  $\Delta P$  at maximum rating at room temperature

DS-4122

Rev.7