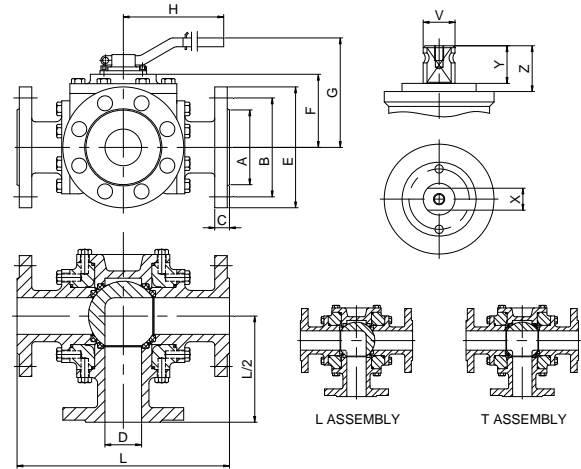
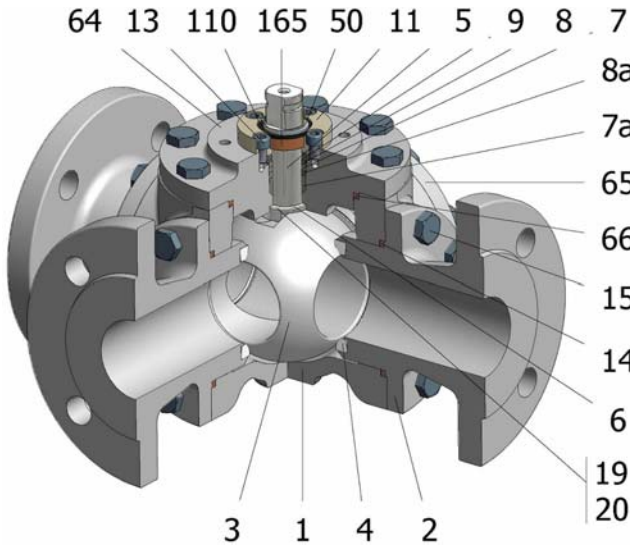


## FIG.Z 86 TTG PN16 DN25/200 L/T



| Position | Description          | Material             |
|----------|----------------------|----------------------|
| 01       | Body 1               | S.S. 1.4408          |
| 02       | Body 2               | S.S. 1.4408          |
| 03       | Ball                 | S.S. 1.4408          |
| 04       | Seat                 | PTFE (modified)      |
| 05       | Stem                 | S.S. 1.4401          |
| 06       | Stem seal            | PTFE (modified)+FG   |
| 07       | Stem packing 1       | PTFE (modified)      |
| 07a      | Stem packing 2       | Graphite             |
| 08       | Gland packing        | S.S. 1.4401          |
| 08a      | Gland packing 1      | S.S. 1.4401          |
| 09       | Spring washer        | S.S. 1.4310          |
| 11       | Cover                | S.S. 1.4408          |
| 13       | Cover bolt           | A4-70                |
| 14       | Body seal 1          | Graphite             |
| 15       | Body bolt            | A4-70                |
| 16       | Handle               | WCB                  |
| 17       | Handle bolt          | 1.045(8.8)           |
| 19       | Spring               | S.S. 1.4401          |
| 20       | Antistatic ball      | S.S. 1.4401          |
| 50       | Subjection ring      | S.S. 1.4401          |
| 64       | Body cover           | S.S. 1.4408          |
| 65       | Body blind           | S.S. 1.4408          |
| 66       | Body cover seal      | Graphite             |
| 110      | Subjection ring seal | S.S. 1.4401 Nitrided |
| 165      | Stem bearing         | PTFE (modified)+FG   |

### General features

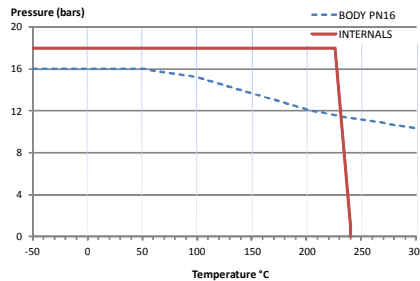
Floating ball.  
Split body.  
Full bore.  
Soft seat.  
Three way  
Fire Safe Design  
Anti Blow out proof stem.  
Autoadjustable packing.  
Anti static device.  
Self-cavity pressure relief.

### Standards

Top flange ISO 5211  
Flanges EN 1092-01  
Testing EN-12266, ISO 5208  
Design EN-12516, ISO 17292

### Official approvals

TA-LUFT VDI 2440  
ISO 15848-1  
ATEX 2014/34/EU  
PED 2014/68/EU  
SIL 3 CAPABLE



### PEKOS GROUP CERTIFICATES:

ISO 9001-2008 / 2014/68/EU /API-6D



### DIMENSIONS & Technical information

| DN  | PN | D   | L   | E   | A   | B   | C  | F   | H   | G   | V  | X  | Y  | Z    | n x d   | ISO 5211 | Torque | MAST   | Weight |
|-----|----|-----|-----|-----|-----|-----|----|-----|-----|-----|----|----|----|------|---------|----------|--------|--------|--------|
| 25  | 16 | 25  | 230 | 115 | 68  | 85  | 18 | 67  | 185 | 117 | 18 | 14 | 17 | 19,5 | 4 x 14  | F05      | 21     | 94,5   | 14     |
| 40  | 16 | 40  | 260 | 150 | 88  | 110 | 18 | 82  | 293 | 136 | 22 | 17 | 20 | 30   | 4 x 18  | F07      | 47     | 250,4  | 22     |
| 50  | 16 | 50  | 290 | 165 | 102 | 125 | 20 | 90  | 293 | 144 | 22 | 17 | 20 | 30   | 4 x 18  | F07      | 69     | 250,4  | 30     |
| 65  | 16 | 65  | 340 | 185 | 122 | 145 | 18 | 109 | 450 | 182 | 28 | 22 | 22 | 40   | 8 x 18  | F10      | 83     | 522,5  | 47     |
| 80  | 16 | 80  | 380 | 200 | 138 | 160 | 20 | 132 | 740 | 205 | 36 | 27 | 35 | 50   | 8 x 18  | F12      | 128    | 1073,4 | 65     |
| 100 | 16 | 100 | 430 | 220 | 158 | 180 | 20 | 147 | 740 | 220 | 36 | 27 | 35 | 50   | 8 x 18  | F12      | 165    | 1073,4 | 95     |
| 150 | 16 | 150 | 480 | 285 | 212 | 240 | 22 | 216 | -   | -   | 48 | 36 | 40 | 63   | 8 x 22  | F14      | 570    | 2544,3 | 180    |
| 200 | 16 | 200 | 600 | 340 | 268 | 295 | 24 | 258 | -   | -   | 48 | 36 | 40 | 63   | 12 x 22 | F14      | 810    | 2544,3 | 300    |

\*\* Depending on service conditions.

\* Dimensions are in mm.

\* Torque & MAST are in Nm.

\* Weight is in Kilogram

\* Torque values have been measured ΔP at maximum rating at room temperature

DS-1127  
Rev.12