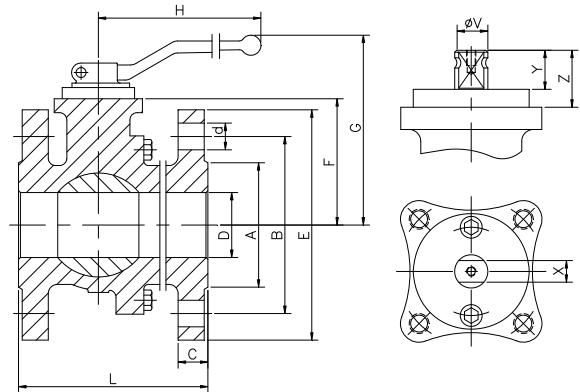
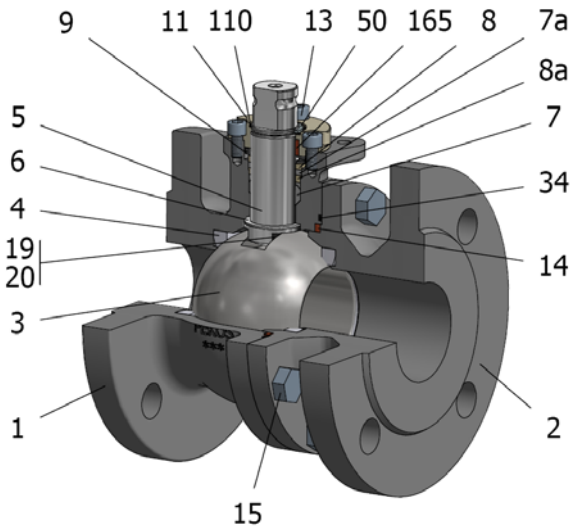


FIG.Z 06 TTTG PN16 DN15/200 F4-F5



| Position | Description | Material |
|----------|----------------------|----------------------|
| 01 | Body 1 | S.S. 1.4408 |
| 02 | Body 2 | S.S. 1.4408 |
| 03 | Ball | S.S. 1.4408 |
| 04 | Seat | PTFE (modified) |
| 05 | Stem | S.S. 1.4401 |
| 06 | Stem seal | PTFE (modified)+FG |
| 07 | Stem packing 1 | PTFE (modified) |
| 07a | Stem packing 2 | Graphite |
| 08 | Gland packing 1 | S.S. 1.4401 |
| 08a | Gland packing 2 | S.S. 1.4401 |
| 09 | Spring washer | S.S. 1.4310 |
| 11 | Cover | S.S. 1.4408 |
| 13 | Cover bolt | A4-70 |
| 14 | Body seal 1 | PTFE (modified) |
| 15 | Body bolt | A4-70 |
| 16 | Handle | WCB |
| 17 | Handle bolt | 1.045(8.8) |
| 19 | Spring | S.S. 1.4401 |
| 20 | Antistatic ball | S.S. 1.4401 |
| 34 | Body seal 2 | Graphite |
| 50 | Subjection ring | S.S. 1.4021 |
| 110 | Subjection ring seal | S.S. 1.4401 Nitrided |
| 165 | Stem bearing | PTFE (modified)+FG |

General features

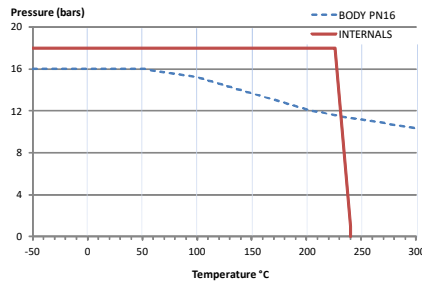
Floating ball.
 Split body.
 Full bore.
 Soft seat.
 Bidirectional.
 Anti Blow out proof stem.
 Autoadjustable packing.
 Anti static device.
 Self-cavity pressure relief.

Standards

Top flange ISO 5211
 Flanges EN 1092-01
 Face to face EN 558
 Testing EN-12266, ISO 5208
 Design EN-12516, ISO 17292

Official approvals

CERTIFICATE FIRE SAFE
 TÜV.AD-MERKBLATT A4
 TA-LUFT VDI 2440
 ISO 15848-1
 ATEX 2014/34/EU
 PED 2014/68/EU
 SIL 3 CAPABLE
 EN 161/EN ISO 23553-1



PEKOS GROUP CERTIFICATES:

ISO 9001-2008 / 2014/68/EU /API-6D



DIMENSIONS & Technical information

| DN | PN | D | L | E | A | B | C | F | H | G | V | X | Y | Z | n x d | ISO 5211 | Torque | MAST | Weight |
|-----|----|-----|-----|-----|-----|-----|----|-----|-----|-----|----|----|----|------|---------|----------|--------|--------|--------|
| 15 | 16 | 15 | 115 | 95 | 45 | 65 | 16 | 51 | 185 | 105 | 14 | 11 | 11 | 13,5 | 4 x 14 | F05 | 8 | 43,5 | 3 |
| 20 | 16 | 20 | 120 | 105 | 58 | 75 | 18 | 53 | 185 | 107 | 14 | 11 | 11 | 13,5 | 4 x 14 | F05 | 10 | 43,5 | 4 |
| 25 | 16 | 25 | 125 | 115 | 68 | 85 | 18 | 59 | 185 | 113 | 18 | 14 | 17 | 19,5 | 4 x 14 | F05 | 14 | 94,5 | 5 |
| 32 | 16 | 32 | 130 | 140 | 78 | 100 | 18 | 64 | 185 | 118 | 18 | 14 | 17 | 19,5 | 4 x 18 | F05 | 21 | 94,5 | 6 |
| 40 | 16 | 40 | 140 | 150 | 88 | 110 | 18 | 75 | 293 | 145 | 22 | 17 | 20 | 30 | 4 x 18 | F07 | 31 | 250,4 | 8 |
| 50 | 16 | 50 | 150 | 165 | 102 | 125 | 20 | 83 | 293 | 153 | 22 | 17 | 20 | 30 | 4 x 18 | F07 | 46 | 250,4 | 11 |
| 65 | 16 | 65 | 170 | 185 | 122 | 145 | 18 | 96 | 293 | 166 | 22 | 17 | 20 | 30 | 8 x 18 | F07 | 55 | 250,4 | 17 |
| 80 | 16 | 80 | 180 | 200 | 138 | 160 | 20 | 114 | 350 | 205 | 28 | 22 | 22 | 40 | 8 x 18 | F10 | 85 | 522,5 | 22 |
| 100 | 16 | 100 | 190 | 220 | 158 | 180 | 20 | 128 | 350 | 220 | 28 | 22 | 22 | 40 | 8 x 18 | F10 | 110 | 522,5 | 30 |
| 125 | 16 | 125 | 325 | 250 | 188 | 210 | 22 | 158 | 740 | 267 | 36 | 27 | 35 | 50 | 8 x 18 | F12 | 240 | 1073,4 | 56 |
| 150 | 16 | 150 | 350 | 285 | 212 | 240 | 22 | 175 | 740 | 284 | 36 | 27 | 35 | 50 | 8 x 22 | F12 | 380 | 1073,4 | 75 |
| 200 | 16 | 200 | 400 | 340 | 268 | 295 | 24 | 245 | 750 | 362 | 48 | 36 | 40 | 63 | 12 x 22 | F14 | 540 | 2544,3 | 134 |

** Depending on service conditions.

* Dimensions are in mm.

* Torque & MAST are in Nm.

* Weight is in Kilograms

* Torque values have been measured ΔP at maximum rating at room temperature

DS-56

Rev.13