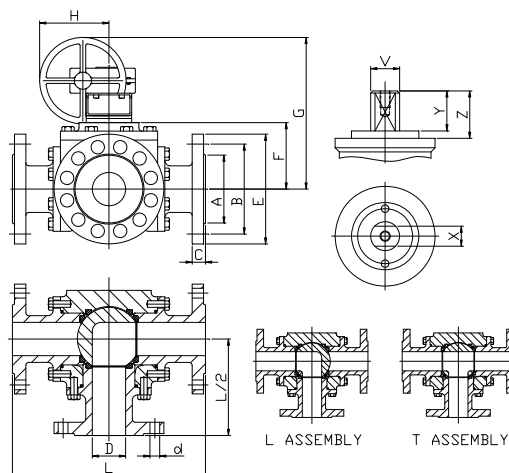
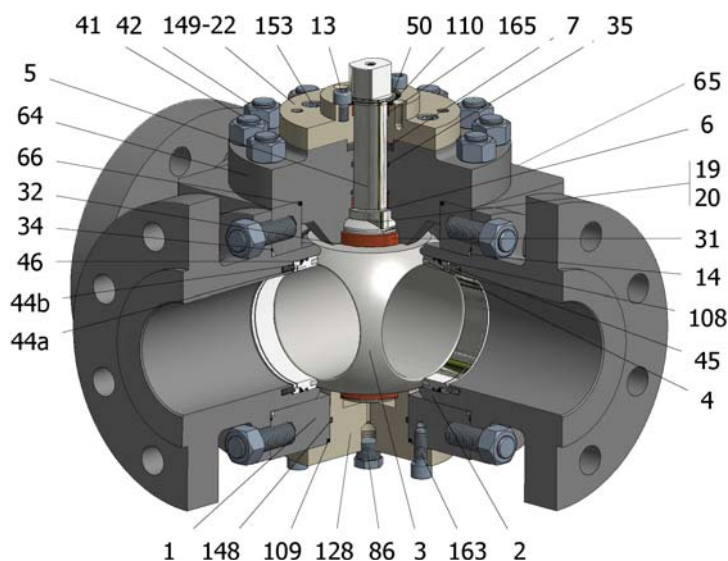


FIG.GS 86 TGTGV PN40 DN50-300 L/T



Position	Description	Material
01	Body 1	S.S. 1.4408
02	Body 2	S.S. 1.4408
03	Ball	S.S. 1.4408
04	Seat	PTFE (modified)
05	Stem	D.S.S. 1.4462
06	Stem seal	PTFE (modified)+FG
07	Stem packing 1	Graphite
13	Cover bolt	A4-70
14	Body seal 1	PTFE (modified)
19	Spring	Inconel X750
20	Antistatic ball	Inconel 625
22	Stop pin	S.S. 1.4401
31	Bearing	MU-316
32	Bearing disk	PTFE (modified)+FG
34	Body seal 2	Graphite
35	O ring stem	FKM
41	Stud	A4-70
42	Nut	A4-70
44a	Ring seat 1	S.S. 1.4401
44b	Ring seat 2	S.S. 1.4401
45	Spring seat	Inconel X750
46	Seat seal	Graphite
50	Subjection ring	S.S. 1.4021
64	Body cover	S.S. 1.4408
65	Body blind	S.S. 1.4408
66	Body cover seal	PTFE (modified)+CG
86	Drain plug	S.S. 1.4401
86a	Vent plug	S.S. 1.4401
108	O ring seat	FKM
109	Cover seal	Graphite
110	Subjection ring seal	S.S. 1.4401 Nitrided
128	Body cover 2	S.S. 1.4401
148	O ring cover	FKM
149	ISO cover	S.S. 1.4401
153	ISO cover bolt	A4-70
163	Body cover 2 bolt	A4-70
165	Stem bearing	PTFE (modified)+FG

General features

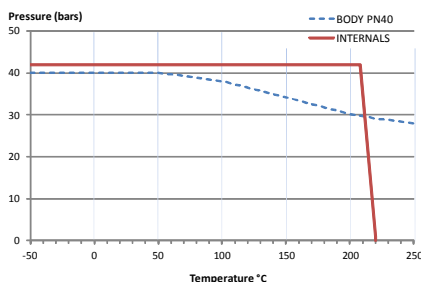
Full trunnion.
Three way.
Full bore.
Soft seat.
Bidirectional.
Spring loaded seat system.
Anti Blow out proof stem.
Anti static device.
Self-cavity pressure relief.
Double Block and Bleed.
Fire Safe Design

Standards

Top flange ISO 5211
Flanges EN 1092-01
Face to face EN 558
Design EN-12516, ISO 17292
Testing EN-12266, ISO 5208

Official approvals

TA-LUFT VDI 2440
ISO 15848-1
ATEX 2014/34/EU
PED 2014/68/EU
SIL 3 CAPABLE



PEKOS GROUP CERTIFICATES:

ISO 9001-2008 / 2014/68/EU / API-6D



DIMENSIONS & Technical information

DN	PN	D	L	E	A	B	C	F	H	G	V	X	Y	Z	n x d	ISO 5211	Torque	MAST	Weight
50	40	50	300	165	102	125	20	103	200	361	22	17	20	30	4 x 18	F07	90	549,6	
80	40	75	380	200	138	160	24	153	200	411	28	22	22	40	8 x 18	F10	220	1146,9	
100	40	100	430	235	162	190	24	175	271	506	28	22	22	40	8 x 22	F10	290	1146,9	
150	40	150	550	300	218	250	28	244	336	626	36	27	35	50	8 x 26	F12	700	2356,2	
200	40	201	650	375	285	320	34	274	355	692	48	36	40	63	12 x 30	F14	1090	5585,0	
250	40	252	775	450	345	385	38	372	430	847	48	36	40	63	12 x 33	F14	1435	5585,0	
300	40	303	850	515	410	450	42	397	430	932	60	46	60	73	16 x 33	F16	1750	11084,1	
350	40	337	980	580	465	510	46	393	532	982	60	46	60	73	16 x 36	F16	2970	11084,1	

** Depending on service conditions.

* Dimensions are in mm.

* Torque & MAST are in Nm.

* Weight is in Kilogram

* Torque values have been measured ΔP at maximum rating at room temperature

DS-3963
Rev.4