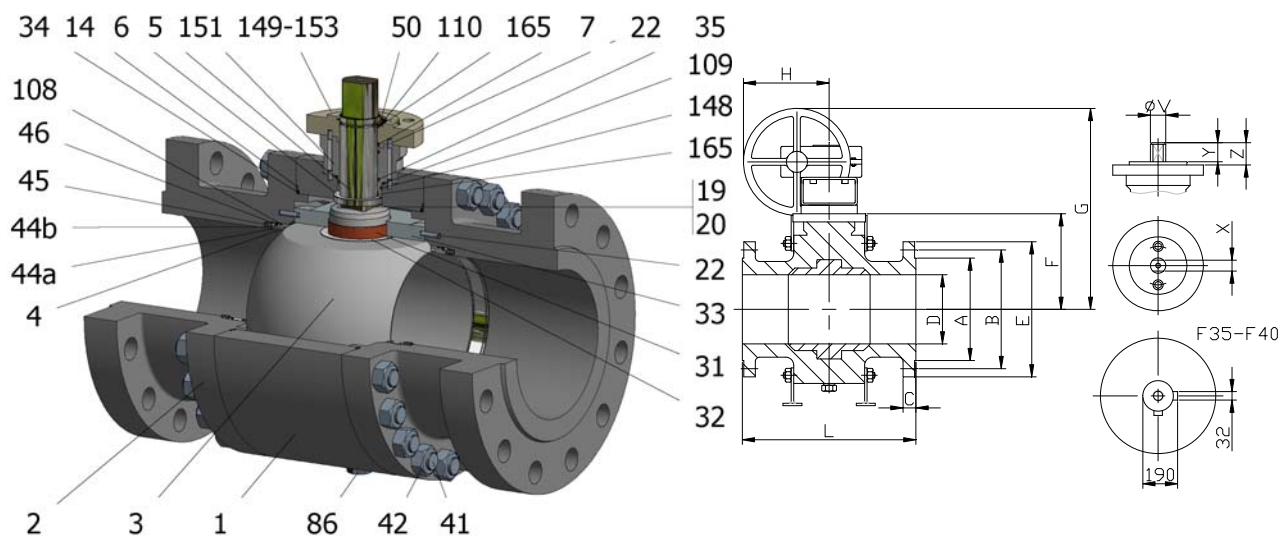


FIG.GKS 24 SGSGV PN100 DN100-500 F2



Position	Description	Material
01	Body 1	C.S. 1.0352
02	Body 2	C.S. 1.0352
03	Ball	S.S. 1.4401
04	Seat	PTFE (modified)+CG
05	Stem	D.S.S. 1.4462
06	Stem seal	PEEK
07	Stem packing 1	Graphite
14	Body seal 1	PTFE (modified)+CG
19	Spring	S.S. 1.4401
20	Antistatic ball	Inconel X750
22	Stop pin	Inconel 625
31	Bearing	MU
32	Bearing disk	PTFE (modified)+FG
33	Support bearing	S275JR+ENP
34	Body seal 2	Graphite
35	O ring stem	FKM
41	Stud	A2-70
42	Nut	A2-70
44a	Ring seat 1	S.S. 1.4401
44b	Ring seat 2	S.S. 1.4401
45	Spring seat	Inconel X750
46	Seat seal	Graphite
50	Subjection ring	S.S. 1.4021
86	Drain plug	C.S. A350 LF2
86a	Vent plug	C.S. A350 LF2
108	O ring seat	FKM
109	Cover seal	Graphite
110	Subjection ring seal	S.S. 1.4401 Nitrided
148	O ring cover	FKM
149	ISO cover	C.S. 1.0352
151	Body cover 1	C.S. 1.0352
152	Body cover bolt	A2-70
153	ISO cover bolt	A2-70
165	Stem bearing	PTFE (modified)+FG

General features

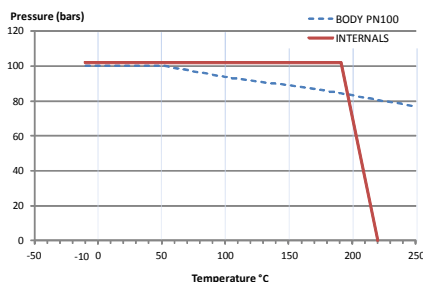
Full trunnion.
Three pieces.
Full bore.
Soft seat.
Bidirectional.
Spring loaded seat system.
Anti Blow out proof stem.
Self-cavity pressure relief.
Anti Blow out proof pin.
Double Block and Bleed.

Standards

Top flange ISO 5211
Flanges EN 1092-01
Face to face EN-12982
Testing EN-12266, ISO 5208
Design EN-12516, ISO 17292

Official approvals

CERTIFICATE FIRE SAFE
TA-LUFT VDI 2440
ISO 15848-1
ATEX 2014/34/EU
PED 2014/68/EU
SIL 3 CAPABLE



PEKOS GROUP CERTIFICATES:

ISO 9001-2008 / 2014/68/EU / API-6D



DIMENSIONS & Technical information

DN	PN	D	L	E	A	B	C	F	H	G	V	X	Y	Z	n x d	ISO 5211	Torque	MAST	Weight
100	100	100	430	265	162	210	40	175	336	547	36	27	35	50	8 x 30	F12	715	2356,2	103
125	100	125	500	315	188	250	40	191	336	573	48	36	40	63	8 x 33	F14	1150	5585,0	158
150	100	150	550	355	218	290	44	229	436	607	48	36	40	63	12 x 33	F14	1580	5585,0	212
200	100	200	650	430	285	360	52	295	461	600	48	36	40	63	12 x 36	F16-1	2500	5585,0	378
250	100	250	775	505	345	430	60	330	461	635	48	36	40	63	12 x 39	F16-1	3161	5585,0	632
300	100	300	900	585	410	500	68	400	461	705	72	55	70	83	16 x 42	F25	3770	19102,7	678
350	100	350	1025	655	465	560	74	426	563	785	72	55	70	83	16 x 48	F25	6420	19102,7	1134
400	100	400	1150	715	535	620	83	465	578	824	72	55	70	83	16 x 48	F25	8600	19102,7	1340
500	100	500	1400	870	615	760	95	545	**	**	98	75	100	106	20 x 56	F30	17800	48235,0	2815

** Depending on service conditions.

* Dimensions are in mm.

* Torque & MAST are in Nm.

* Weight is in Kilogram

* Torque values have been measured ΔP at maximum rating at room temperature

DS-894
Rev.5