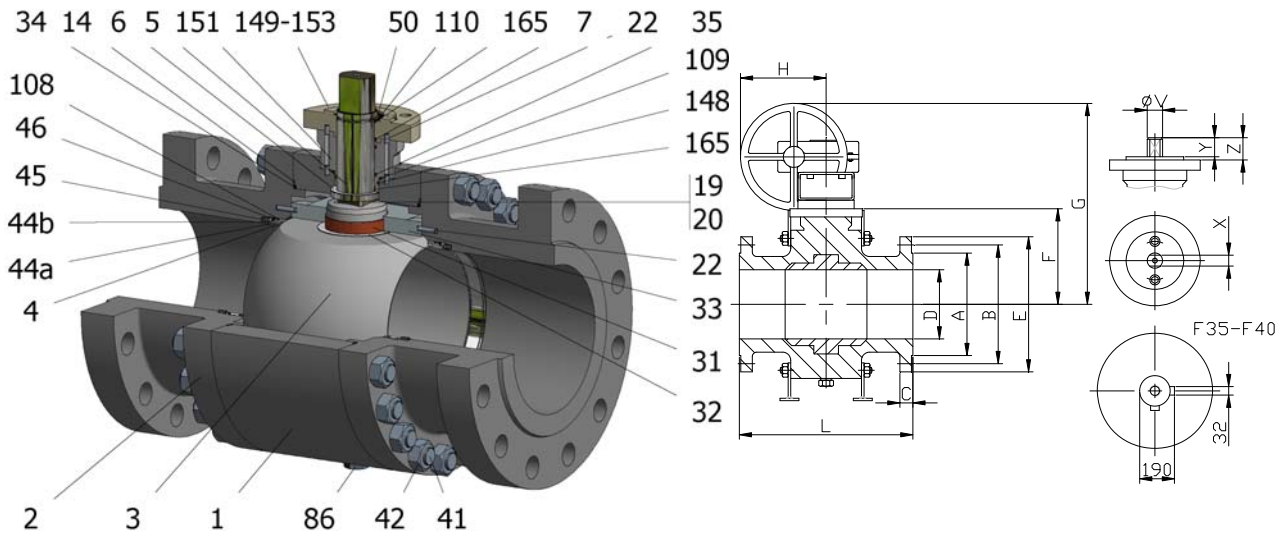


FIG.GKS 06 TGTGV PN16 DN125/500 F5



Position	Description	Material
01	Body 1	S.S. 1.4401
02	Body 2	S.S. 1.4401
03	Ball	S.S. 1.4408
04	Seat	PTFE (modified)
05	Stem	D.S.S. 1.4462
06	Stem seal	PTFE (modified)+FG
07	Stem packing 1	Graphite
14	Body seal 1	PTFE (modified)
19	Spring	Inconel X750
20	Antistatic ball	Inconel 625
22	Stop pin	S.S. 1.4401
31	Bearing	MU-316
32	Bearing disk	PTFE (modified)+FG
33	Support bearing	S.S. 1.4401
34	Body seal 2	Graphite
35	O ring stem	FKM
41	Stud	A4-70
42	Nut	A4-70
44a	Ring seat 1	S.S. 1.4401
44b	Ring seat 2	S.S. 1.4401
45	Spring	Inconel X750
46	Seat seal	Graphite
50	Subjection ring	S.S. 1.4301
86	Drain plug	S.S. 1.4401
108	O ring seat	FKM
109	Cover seal	Graphite
110	Subjection ring seal	S.S. 1.4401 Nitrided
148	O ring cover	FKM
149	ISO cover	S.S. 1.4401
151	Body cover 1	S.S. 1.4401
152	Body cover bolt	A4-70
153	ISO cover bolt	A4-70
165	Stem bearing	PTFE (modified)+FG

General features

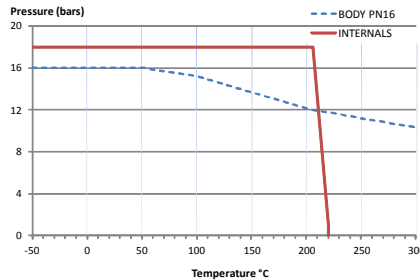
Full trunnion.
Three pieces.
Full bore.
Soft seat.
Bidirectional.
Anti Blow out proof stem.
Autoadjustable packing.
Anti static device.
Self-cavity pressure relief.
Spring loaded seat system.
Double Block and Bleed.

Standards

Top flange ISO 5211
Flanges EN 1092-01
Face to face EN 558
Testing EN-12266, ISO 5208
Design EN-12516, ISO 17292

Official approvals

CERTIFICATE FIRE SAFE
TA-LUFT VDI 2440
ISO 15848-1
ATEX 2014/34/EU
PED 2014/68/EU
SIL 3 CAPABLE



PEKOS GROUP CERTIFICATES:

ISO 9001-2008 / 2014/68/EU / API-6D



DIMENSIONS & Technical information

DN	PN	D	L	E	A	B	C	F	H	G	V	X	Y	Z	n x d	ISO 5211	Torque	MAST	Weight
125	16	125	325	250	188	210	22	176	271	497	36	27	35	50	8 x 18	F12	374	2356,2	97
150	16	150	350	285	212	240	22	210	271	531	36	27	35	50	8 x 22	F12	473	2356,2	128
200	16	200	400	340	268	295	24	265	336	647	48	36	40	63	12 x 22	F14	738	5585,0	220
250	16	250	450	405	320	355	26	301	336	683	48	36	40	63	12 x 26	F14	998	5585,0	425
300	16	300	500	460	378	410	28	374	355	762	60	46	60	73	12 x 26	F16	1242	11084,1	565
350	16	350	550	520	438	470	30	406	355	824	60	46	60	73	16 x 26	F16	2107	11084,1	760
400	16	400	600	580	490	525	32	440	430	915	60	46	60	73	16 x 30	F16	2842	11084,1	980
450	16	450	650	640	550	585	40	500	480	1085	72	55	70	83	20 x 30	F25	3789	19102,7	1870
500	16	500	700	715	610	650	44	550	532	1139	72	55	70	83	20 x 33	F25	4686	19102,7	2310

** Depending on service conditions.

* Dimensions are in mm.

* Torque & MAST are in Nm.

* Weight is in Kilogram

* Torque values have been measured ΔP at maximum rating at room temperature

DS-3727

Rev.4