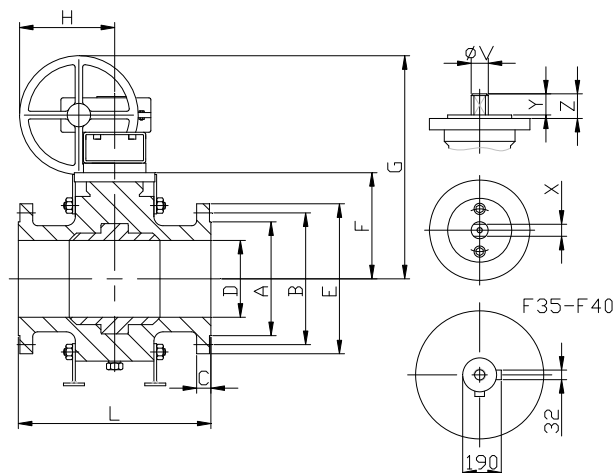
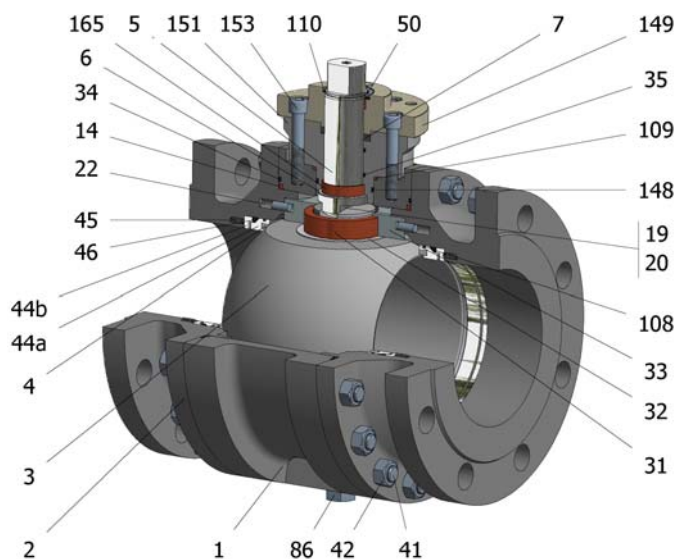


FIG.GKS 04 TGTGV PN10 DN150-500 F5



Position	Description	Material
01	Body 1	C.S. 1.0352
02	Body 2	C.S. 1.0352
03	Ball	S.S. 1.4408
04	Seat	PTFE (modified)
05	Stem	D.S.S. 1.4462
06	Stem seal	PTFE (modified)+FG
07	Stem packing 1	Graphite
14	Body seal 1	PTFE (modified)
19	Spring	Inconel X750
20	Antistatic ball	Inconel 625
22	Stop pin	S.S. 1.4401
31	Bearing	MU
32	Bearing disk	PTFE (modified)+FG
33	Support bearing	S275JR+ENP
34	Body seal 2	Graphite
35	O ring stem	FKM
41	Stud	A2-70
42	Nut	A2-70
44a	Ring seat 1	S.S. 1.4401
44b	Ring seat 2	S.S. 1.4401
45	Spring	Inconel X750
46	Seat seal	Graphite
50	Subjection ring	S.S. 1.4301
86	Drain plug	C.S. A350 LF2
108	O ring seat	FKM
109	Cover seal	Graphite
110	Subjection ring seal	S.S. 1.4401 Nitrided
148	O ring cover	FKM
149	ISO cover	C.S. 1.0352
151	Body cover 1	C.S. 1.0352
152	Body cover bolt	A4-70
153	ISO cover bolt	A4-70
165	Stem bearing	PTFE (modified)+FG

General features

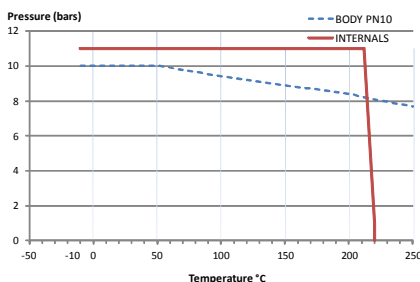
Full trunnion.
Three pieces.
Full bore.
Soft seat.
Bidirectional.
Anti Blow out proof stem.
Autoadjustable packing.
Anti static device.
Self-cavity pressure relief.
Spring loaded seat system.
Double Block and Bleed.

Standards

Top flange ISO 5211
Flanges EN 1092-01
Face to face EN 558
Testing EN-12266, ISO 5208
Design EN-12516, ISO 17292

Official approvals

CERTIFICATE FIRE SAFE
TA-LUFT VDI 2440
ISO 15848-1
ATEX 2014/34/EU
PED 2014/68/EU
SIL 3 CAPABLE
DIN-DVGW



PEKOS GROUP CERTIFICATES:

ISO 9001-2008 / 2014/68/EU / API-6D



DIMENSIONS & Technical information

DN	PN	D	L	E	A	B	C	F	H	G	V	X	Y	Z	n x d	ISO 5211	Torque	MAST	Weight
150	10	150	350	285	212	240	22	210	271	531	36	27	35	50	8 x 22	F12	475	2356,2	124
200	10	200	400	340	268	295	24	265	336	647	48	36	40	63	8 x 22	F14	740	5585,0	213
250	10	250	450	395	320	350	26	301	336	683	48	36	40	63	12 x 22	F14	1000	5585,0	412
300	10	300	500	445	370	400	26	374	355	762	60	46	60	73	12 x 22	F16	1240	11084,1	548
350	10	350	550	505	430	460	26	406	355	824	60	46	60	73	16 x 22	F16	2110	11084,1	737
400	10	400	600	565	482	515	26	440	430	915	60	46	60	73	16 x 26	F16	2845	11084,1	951
450	10	450	650	615	532	565	28	500	480	1085	72	55	70	83	20 x 26	F25	3790	19102,7	1814
500	10	500	700	670	585	620	28	550	532	1139	72	55	70	83	20 x 26	F25	4690	19102,7	2241

** Depending on service conditions.

* Dimensions are in mm.

* Torque & MAST are in Nm.

* Weight is in Kilogram

* Torque values have been measured ΔP at maximum rating at room temperature

DS-2690
Rev.6