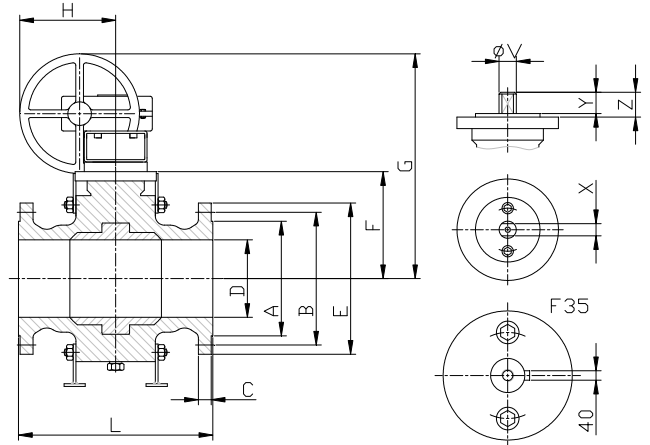
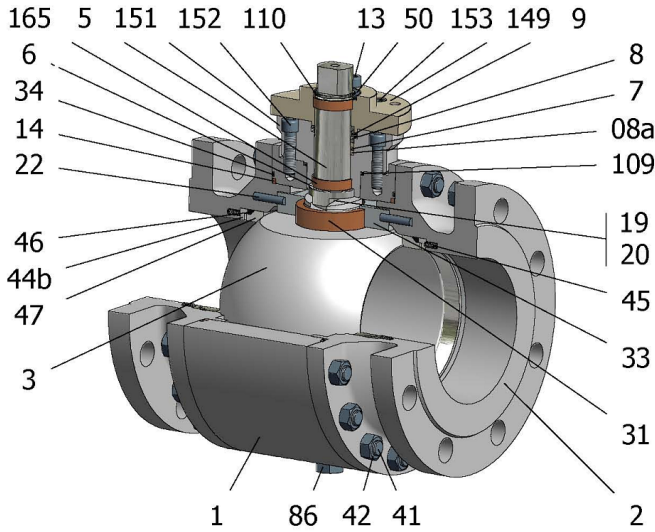


FIG.GKMS 26 CGGG PN40 DN250/500 F1



Position	Description	Material
01	Body 1	S.S. 1.4401
02	Body 2	S.S. 1.4401
03	Ball	1.4408+Cr-Carbide
05	Stem	A182 F51
06	Stem seal	S.S. 1.4401 Nitrided
07	Stem packing 1	Graphite
08	Gland packing	S.S. 1.4401
08a	Gland packing 1	S.S. 1.4301
09	Spring washer	S.S. 1.4310
14	Body seal 1	Graphite
19	Spring	S.S. 1.4401
20	Antistatic ball	S.S. 1.4401
22	Stop pin	S.S. 1.4401
31	Bearing	Carbongraphite
33	Support bearing	S.S. 1.4401
34	Body seal 2	Graphite
41	Stud	A4-70
42	Nut	A4-70
44b	Ring seat 2	S.S. 1.4401
45	Spring	Inconel X750
46	Seat seal	Graphite
47	Metal seat	1.4401+Cr-Carbide
50	Subjection ring	S.S. 1.4301
86	Drain plug	S.S. 1.4401
86a	Vent plug	S.S. 1.4401
109	Cover seal	Graphite
110	Subjection ring seal	S.S. 1.4401 Nitrided
149	ISO cover	S.S. 1.4401
151	Body cover 1	S.S. 1.4401
152	Body cover bolt	A4-70
153	ISO cover bolt	A4-70
165	Stem bearing	Carbongraphite

General features

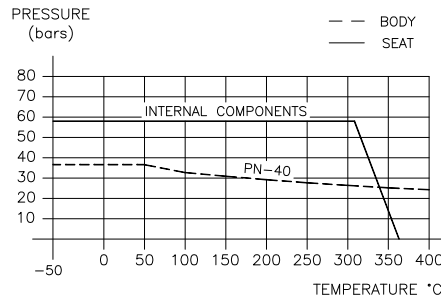
Full trunnion.
Three pieces.
Full bore.
Metal to Metal.
Bidirectional.
TA-LUFT.
Spring loaded seat system.
Anti Blow out proof stem.
Autoadjustable packing.
Anti static device.
Self-cavity pressure relief.
Double Block and Bleed.

Standards

Top flange ISO 5211
Flanges EN 1092-01
Face to face EN 558
Testing EN-12266, ISO 5208
Design EN-12516, ISO 17292

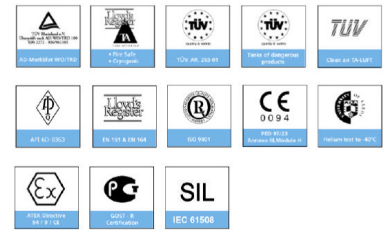
Official approvals

CERTIFICATE FIRE SAFE
TÜV.AD-MERKBLATT WO
TA-LUFT
ATEX 94-9EC
PED 97/23/CE.
SIL 3 CAPABLE



PEKOS GROUP CERTIFICATES:

ISO 9001-2008 / 97-23-CE / API-6D



DIMENSIONS & Technical information

DN	PN	D	L	E	A	B	C	F	H	G	V	X	Y	Z	n x d	ISO 5211	Torque	MAST	Weight
250	40	252	730	450	345	385	38	301	781	916	48	36	40	63	12 x 33	F14	3229	5585,0	490
300	40	303	850	515	410	450	42	363	781	798	60	46	60	73	16 x 33	F16	3936	11084,1	780
350	40	334	980	580	465	510	46	393	781	893	60	46	60	73	16 x 36	F16	6688	11084,1	1020
400	40	385	1100	660	535	585	50	433	**	**	60	46	60	73	16 x 39	F16	8971	11084,1	1290
450	40	436	1200	685	560	610	57	484	**	**	72	55	70	83	20 x 39	F25	12838	19102,7	1700
500	40	487	1250	755	615	670	57	534	**	**	72	55	70	83	20 x 42	F25	16825	19102,7	2200

** Depending on service conditions.

* Dimensions are in mm.

* Torque & MAST are in Nm.

* Weight is in Kilogram

* Torque values have been measured ΔP at maximum rating at room temperature

DS-585
Rev.2