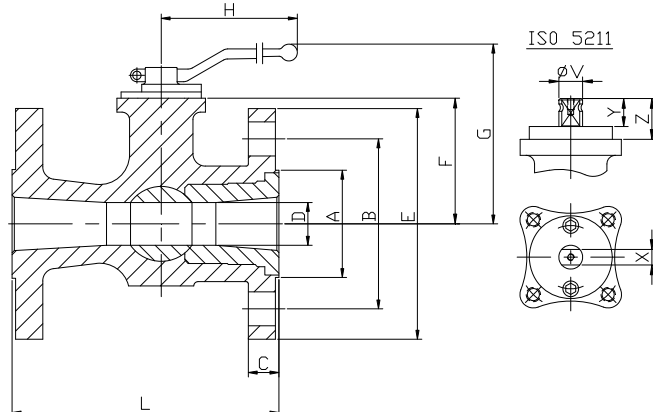
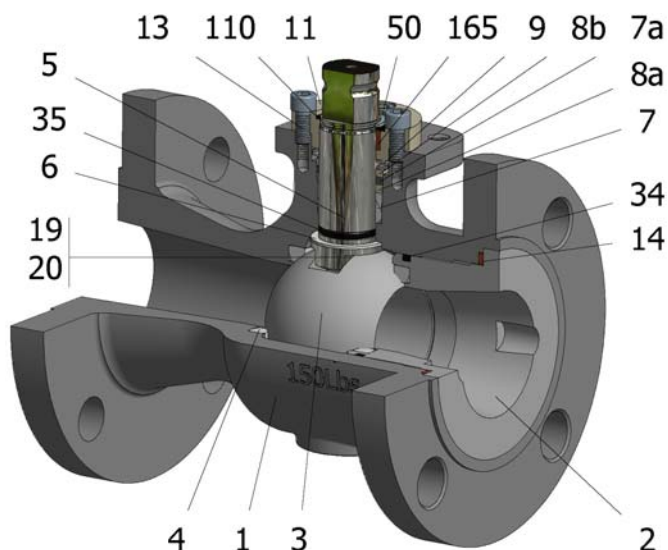


FIG.ZRB 14 SSSGV CL150 1"-8"



Position	Description	Material
01	Body 1	C.S. A216 WCC
02	Body 2	C.S. A-105
03	Ball	S.S. A351 CF8M
04	Seat	PTFE (modified)+CG
05	Stem	S.S. AISI 316
06	Stem seal	PTFE (modified)+CG
07	Stem packing 1	PTFE (modified)+CG
07a	Stem packing 2	Graphite
08a	Gland packing	S.S. AISI 316
08b	Gland packing 1	S.S. AISI 316
09	Spring washer	S.S. AISI 301
11	Cover	S.S. A351 CF8M
13	Cover bolt	S.S. (316)
14	Body seal 1	Graphite
16	Handle	WCB
17	Handle bolt	1.045(8.8)
19	Spring	S.S. AISI 316
20	Antistatic ball	S.S. AISI 316
34	Body seal 2	FKM
35	O ring stem	FKM
50	Subjection ring	S.S. AISI 420
110	Subjection ring seal	S.S. AISI 316 Nitrided
165	Stem bearing	PTFE (modified)+FG

General features

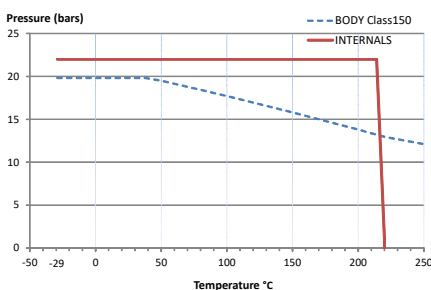
Floating ball.
 End entry.
 Reduced bore.
 Soft seat.
 Bidirectional.
 Anti Blow out proof stem.
 Autoadjustable packing.
 Anti static device.
 Self-cavity pressure relief.

Standards

Top flange ISO 5211
 Flanges ANSI B16.5
 Face to face ANSI B16.10
 Testing API 598, API 6D, BS 6755-1
 Design API 6D, B16.34
 Materials according to NACE MR0175

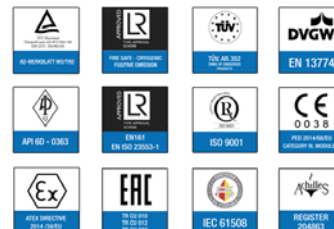
Official approvals

EN 161/EN ISO 23553-1
 CERTIFICATE FIRE SAFE
 TA-LUFT VDI 2440
 ISO 15848-1
 ATEX 2014/34/EU
 API 6D.
 PED 2014/68/EU
 SIL 3 CAPABLE



PEKOS GROUP CERTIFICATES:

ISO 9001-2008 / 2014/68/EU / API-6D



DIMENSIONS & Technical information

DN	CL	D	L	E	A	B	C	F	H	G	V	X	Y	Z	n x d	ISO 5211	Torque	MAST	Weight
1"	150	20	127	110	51	79	13	47	185	110	14	11	11	13,5	4 x 16	F05	13	42,4	3
1 1/2"	150	32	165	125	73	98	16	57	185	120	18	14	17	19,5	4 x 16	F05	28	92,2	6
2"	150	40	178	150	92	121	17	75	293	147	22	17	20	30	4 x 19	F07	38	244,3	9
3"	150	65	203	190	127	152	21	96	293	168	22	17	20	30	4 x 19	F07	74	244,3	18
4"	150	80	229	230	157	191	25	114	350	204	28	22	22	40	8 x 19	F10	124	509,7	26
6"	150	111	267	280	216	241	26	149	740	261	36	27	35	50	8 x 22	F12	317	1047,2	46
8"	150	144	292	345	270	299	30	173	740	285	36	27	35	50	8 x 22	F12	480	1047,2	78

** Depending on service conditions.

* Dimensions are in mm.

* Torque & MAST are in Nm

* Weight is in Kilograms

* Torque values have been measured ΔP at maximum rating at room temperature

DS-2089

Rev.7