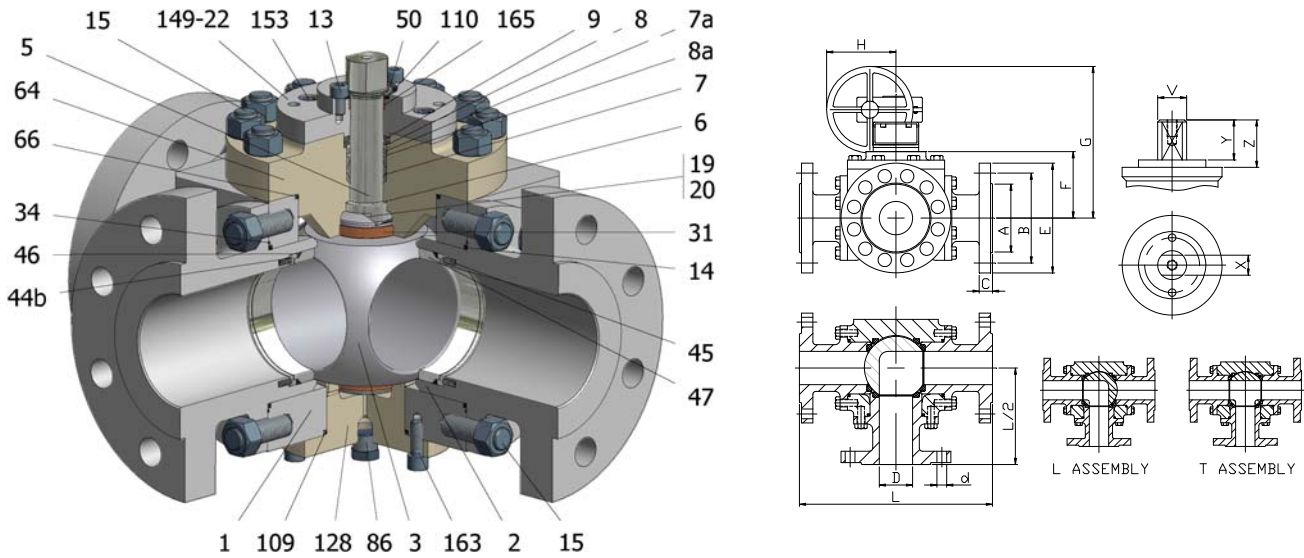


FIG.ZGMS 84 CGGG CL300 1"-12"



Position	Description	Material
01	Body 1	C.S. A216 WCC
02	Body 2	C.S. A-105
03	Ball	S.S. F316+Cr-Carbide
05	Stem	XM-19
06	Stem seal	S.S. AISI 316 Nitrided
07	Stem packing 1	Graphite
07a	Stem packing 2	Graphite
08	Gland packing	S.S. AISI 316
08a	Gland packing 1	S.S. AISI 316
09	Spring washer	Inconel X718
13	Cover bolt	S.S. (316)
14	Body seal 1	Graphite
15	Body bolt	A193 B7M
19	Spring	S.S. AISI 316
20	Antistatic ball	S.S. AISI 316
22	Stop pin	S.S. AISI 316
31	Bearing	Carbongraphite
34	Body seal 2	Graphite
44b	Ring seat 2	S.S. AISI 316
45	Spring seat	Inconel X750
46	Seat seal	Graphite
47	Metal seat	AISI 316+Cr-Carbide
50	Subjection ring	S.S. AISI 420
64	Body cover	C.S. A216 WCC
66	Body cover seal	Graphite
86	Drain plug	C.S. A350 LF2
86a	Vent plug	C.S. A350 LF2
109	Cover seal	Graphite
110	Subjection ring seal	S.S. AISI 316 Nitrided
128	Body cover 2	C.S. A-105
149	ISO cover	C.S. A-105
153	ISO cover bolt	S.S. (316)
163	Body cover 2 bolt	S.S. (316)
165	Stem bearing	Carbongraphite

General features

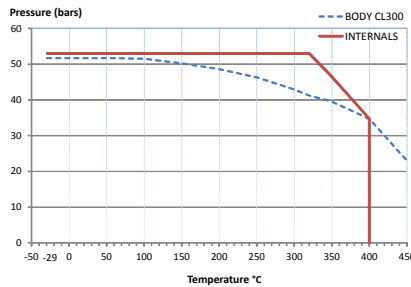
Full trunnion.
Full bore.
Metal to Metal.
Three way
Spring loaded seat system.
Anti Blow out proof stem.
Autoadjustable packing.
Anti static device.
Self-cavity pressure relief.
Double Block and Bleed.
Fire Safe Design

Standards

Top flange ISO 5211
Flanges ANSI B16.5
Face to face EN 558
Testing API 598, API 6D, BS 6755-1
Design API 6D, B16.34
Materials according to NACE MR0175

Official approvals

TA-LUFT VDI 2440
ISO 15848-1
API 6D.
ATEX 2014/34/EU
PED 2014/68/EU
SIL 3 CAPABLE



PEKOS GROUP CERTIFICATES:



DIMENSIONS & Technical information

DN	CL	D	L	E	A	B	C	F	H	G	V	X	Y	Z	n x d	ISO 5211	Torque	MAST	Weight
1"	300	25	230	125	51	89	18	66	**	**	18	14	17	20	4 x 19	F05	79	175,2	13,0
1 1/2"	300	40	260	155	73	114	22	87	**	**	22	17	20	30	4 x 22	F07	167	464,1	33,0
2"	300	50	300	165	92	127	24	87	**	**	22	17	20	30	8 x 19	F07	211	464,1	40,0
3"	300	75	380	210	127	168	30	131	**	**	28	22	22	40	8 x 22	F10	544	968,5	97,0
4"	300	100	430	255	157	200	33	173	**	**	28	22	22	36	8 x 22	F12-1	887	968,5	138,0
6"	300	150	550	320	216	270	38	235	**	**	36	27	35	44	12 x 22	F14-1	1788	1989,7	240,0
8"	300	201	650	380	270	330	43	280	**	**	48	36	40	63	12 x 25	F16-1	2787	4716,3	410,0
10"	300	252	775	445	324	387	49	330	**	**	48	36	40	63	16 x 29	F16-1	3639	4716,3	-
12"	300	303	850	520	381	451	52	355	**	**	60	46	60	73	16 x 32	F16	4412	9359,9	-

** Depending on service conditions.

* Dimensions are in mm. * Torque & MAST are in Nm * Weight is in Kilogram

* Torque values have been measured ΔP at maximum rating at room temperature

DS-2262
Rev.5