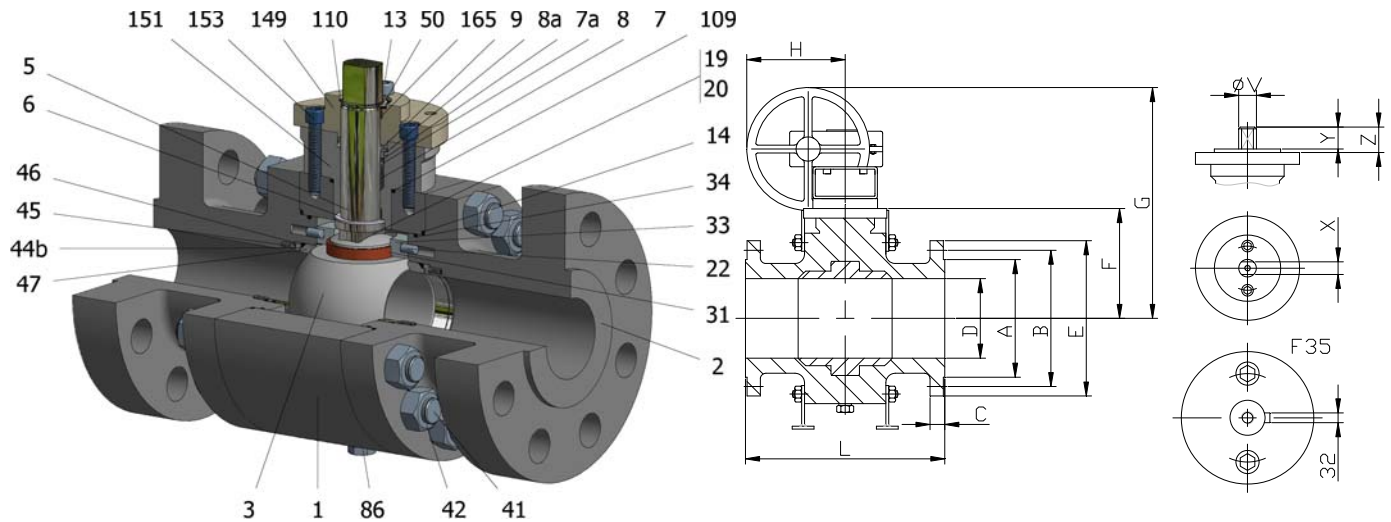


FIG.ZGKMS 906 CGGG CL900 3"-20"



Position	Description	Material
01	Body 1	A182 F316
02	Body 2	A182 F316
03	Ball	S.S. F316+Cr-Carbide
05	Stem	XM-19
06	Stem seal	S.S. AISI 316 Nitrided
07	Stem packing 1	Graphite
07a	Stem packing 2	Graphite
08	Gland packing 1	S.S. AISI 316
08a	Gland packing 2	S.S. AISI 316
09	Spring washer	Inconel X718
13	Cover bolt	S.S. (316)
14	Body seal 1	Graphite
19	Spring	S.S. AISI 316
20	Antistatic ball	S.S. AISI 316
22	Stop pin	S.S. AISI 316
31	Bearing	Carbongraphite
33	Support bearing	S.S. AISI 316
34	Body seal 2	Graphite
41	Stud	A193 B8M
42	Nut	A194 8M
44b	Ring seat 2	S.S. AISI 316
45	Spring seat	Inconel X750
46	Seat seal	Graphite
47	Metal seat	AISI 316+Cr-Carbide
50	Subjection ring	S.S. AISI 304
86	Drain plug	S.S. AISI 316
86a	Vent plug	S.S. AISI 316
109	Cover seal	Graphite
110	Subjection ring seal	S.S. AISI 316 Nitrided
149	ISO cover	S.S. AISI 316
151	Body cover 1	S.S. AISI 316
153	ISO cover bolt	S.S. (316)
165	Stem bearing	Carbongraphite

General features

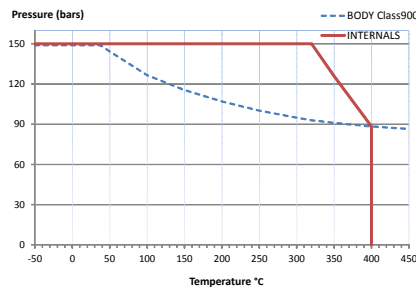
Full trunnion.
 Three pieces.
 Full bore.
 Metal to Metal.
 Bidirectional.
 Spring loaded seat system.
 Anti Blow out proof stem.
 Anti static device.
 Self-cavity pressure relief.
 Double Block and Bleed.

Standards

Top flange ISO 5211
 Flanges ANSI B16.5
 Face to face ANSI B16.10
 Design API 6D, B16.34
 Testing API 598, API 6D, BS 6755-1
 Materials according to NACE MR0175

Official approvals

CERTIFICATE FIRE SAFE
 TA-LUFT VDI 2440
 ISO 15848-1
 API 6D.
 ATEX 2014/34/EU
 PED 2014/68/EU
 SIL 3 CAPABLE



PEKOS GROUP CERTIFICATES:



DIMENSIONS & Technical information

DN	CL	D	L	E	A	B	C	F	H	G	V	X	Y	Z	n x d	ISO 5211	Torque	MAST	Weight
3"	900	75	381	240	127	191	45	160	271	481	36	27	35	50	8 x 25	F12	1070	1989,7	105
4"	900	100	457	290	157	235	52	175	271	496	36	27	35	44	8 x 32	F14-1	1670	1989,7	165
6"	900	150	610	380	216	318	63	229	336	611	48	36	40	63	12 x 32	F16-1	3915	4716,3	380
8"	900	201	737	470	270	394	71	295	405	643	60	46	60	68	12 x 38	F25-1	6100	9359,9	640
10"	900	252	838	545	324	470	77	330	430	685	60	46	60	68	16 x 38	F25-1	7740	9359,9	952
12"	900	303	965	610	381	533	86	400	430	755	72	55	70	83	20 x 38	F25	9175	16131,2	1312
14"	900	322	1029	640	413	559	93	438	532	847	98	75	100	106	20 x 41	F30	15610	40731,8	1595
16"	900	373	1130	705	470	616	96	476	**	**	120	32	127	200	20 x 45	F35	20770	27360,0	1962
18"	900	423	1219	785	533	659	109	511	**	**	120	32	127	200	20 x 51	F35	32600	27360,0	2755
20"	900	471	1321	855	584	750	115	585	**	**	180	**	205	220	20 x 54	F40	45610	57000,0	3752

DS-1979
 Rev.3