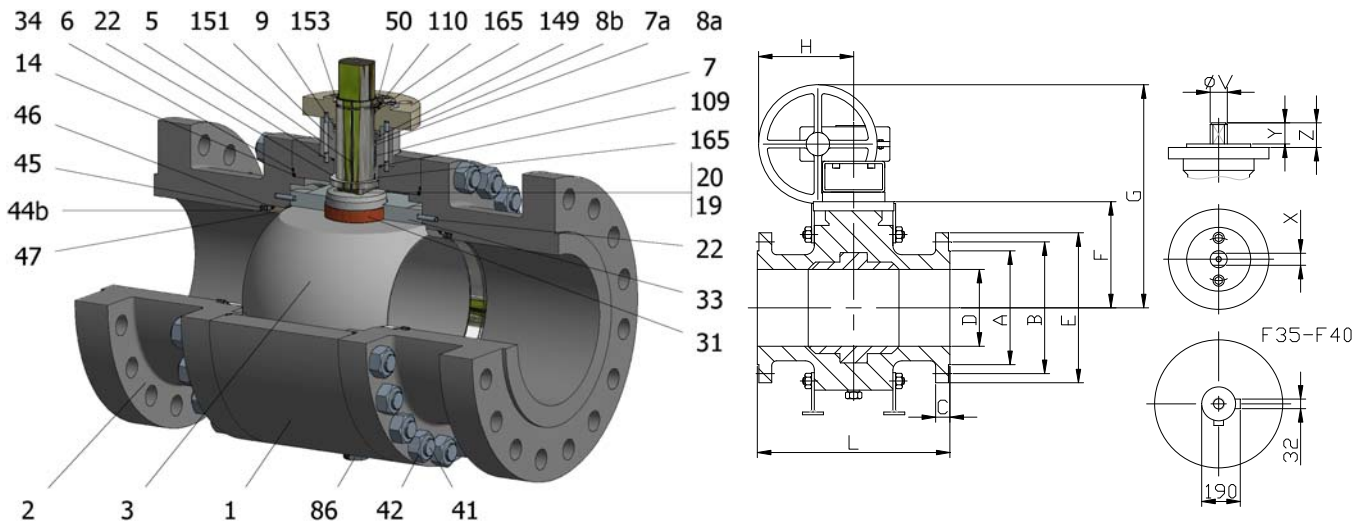


FIG.ZGKMS 64 CGGG CL600 4"-16" RF



Position	Description	Material
01	Body 1	C.S. A-105
02	Body 2	C.S. A-105
03	Ball	S.S. F316+Cr-Carbide
05	Stem	XM-19
06	Stem seal	S.S. AISI 316 Nitrided
07	Stem packing 1	Graphite
07a	Stem packing 2	Graphite
08a	Gland packing 1	S.S. AISI 316
08b	Gland packing 2	S.S. AISI 316
09	Spring washer	Inconel X718
14	Body seal 1	Graphite
19	Spring	S.S. AISI 316
20	Antistatic ball	S.S. AISI 316
22	Stop pin	S.S. AISI 316
31	Bearing	Carbongraphite
33	Support bearing	S275JR+ENP
34	Body seal 2	Graphite
41	Stud	A320 L7M
42	Nut	A194 7M
44b	Ring seat 1	S.S. AISI 316
45	Spring	Inconel X750
46	Seat seal	Graphite
47	Metal seat	AISI 316+Cr-Carbide
50	Subjection ring	S.S. AISI 420
86	Drain plug	C.S. A350 LF2
86a	Vent plug	C.S. A350 LF2
109	Cover seal	Graphite
110	Subjection ring seal	S.S. AISI 316 Nitrided
149	ISO cover	C.S. A-105
151	Body cover 1	C.S. A-105
153	ISO cover bolt	S.S. (316)
165	Stem bearing	Carbongraphite

General features

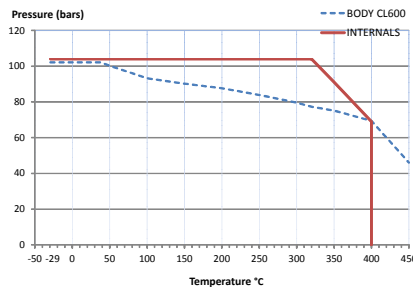
Full trunnion.
Three pieces.
Full bore.
Metal to Metal.
Bidirectional.
Spring loaded seat system.
Anti Blow out proof stem.
Autoadjustable packing.
Anti static device.
Self-cavity pressure relief.
Double Block and Bleed.

Standards

Top flange ISO 5211
Flanges ANSI B16.5
Face to face ANSI B16.10
Testing API 598, API 6D, BS 6755-1
Design API 6D, B16.34
Materials according to NACE MR0175

Official approvals

CERTIFICATE FIRE SAFE
TA-LUFT VDI 2440
ISO 15848-1
ATEX 2014/34/EU
API 6D.
PED 2014/68/EU
SIL 3 CAPABLE



PEKOS GROUP CERTIFICATES:



DIMENSIONS & Technical information

DN	CL	D	L	E	A	B	C	F	H	G	V	X	Y	Z	n x d	ISO 5211	Torque	MAST	Weight
4"	600	100	432	275	157	216	45	179	436	557	36	27	35	44	8 x 25	F14-1	1279	1989,7	108
6"	600	150	559	355	216	292	55	229	461	614	48	36	40	63	12 x 29	F16-1	2852	4716,3	232
8"	600	201	660	420	270	349	63	295	563	654	60	46	60	73	12 x 32	F16	4445	9359,9	415
10"	600	252	787	510	324	432	71	330	563	689	60	46	60	68	16 x 35	F25-1	5689	9359,9	659
12"	600	303	838	560	381	489	74	400	781	835	72	55	70	83	20 x 35	F25	6793	16131,2	880
14"	600	334	889	605	413	527	78	426	781	861	72	55	70	83	20 x 38	F30-1	11536	16131,2	1400
16"	600	385	991	685	470	603	84	465	781	900	72	55	70	83	20 x 41	F30-1	15409	16131,2	1696

** Depending on service conditions.

* Dimensions are in mm.

* Torque & MAST are in Nm

* Weight is in Kilogram

* Torque values have been measured ΔP at maximum rating at room temperature

DS-1718
Rev.8