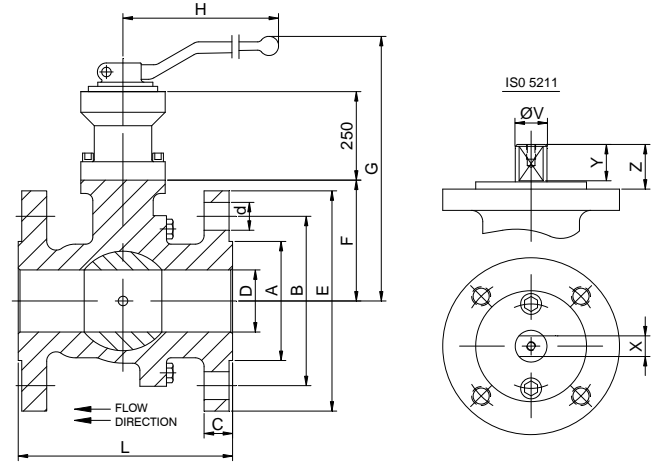
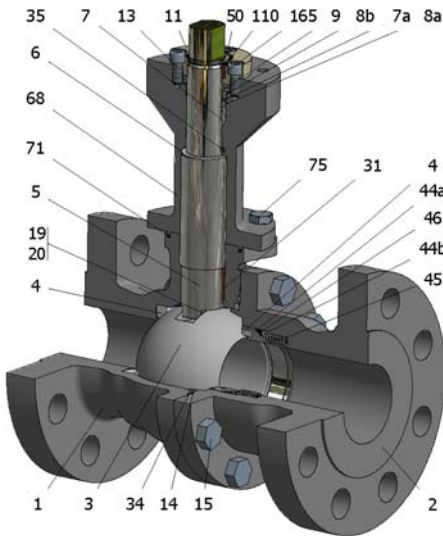


## FIG.ZFOSU 36 KTTGN CL300 1/2"-4"



Position	Description	Material
01	Body 1	S.S. A351 CF8M
02	Body 2	S.S. A351 CF8M
03	Ball	S.S. A351 CF8M
04	Seat	PTFE
05	Stem	XM-19
06	Stem seal	PTFE
07	Stem packing 1	PTFE (modified)
07a	Stem packing 2	Graphite
08a	Gland packing 1	S.S. AISI 316
08b	Gland packing 2	S.S. AISI 316
09	Spring washer	S.S. AISI 301
11	Cover	S.S. A351 CF8M
13	Cover bolt	S.S. (316)
14	Body seal 1	PTFE (modified)
15	Body bolt	A320 B8M
16	Handle	WCB
17	Handle bolt	1.045(8.8)
19	Spring	S.S. AISI 316
20	Antistatic ball	S.S. AISI 316
31	Bearing	MU-316
34	Body seal 2	Graphite
35	O ring stem	NBR
44a	Ring seat 1	S.S. AISI 316
44b	Ring seat 2	S.S. AISI 316
45	Spring seat	Inconel X750
46	Seat seal	Graphite
50	Subjection ring	S.S. AISI 304
68	Stem extension casing	S.S. AISI 316
71	Extension seal	Graphite
75	Extension bolt	S.S. (316)
110	Subjection ring seal	S.S. AISI 316 Nitrided
165	Stem bearing	PTFE (modified)+FG

### General features

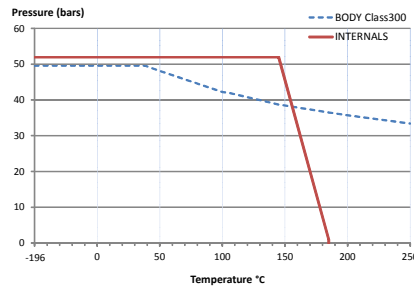
Floating ball.  
 Cryogenic.  
 Split body.  
 Full bore.  
 Soft seat.  
 Unidirectional.  
 Spring loaded seat system.  
 Anti Blow out proof stem.  
 Autoadjustable packing.  
 Anti static device.  
 Self-cavity pressure relief.  
 Degreased

### Standards

Top flange ISO 5211  
 Flanges ANSI B16.5  
 Face to face ANSI B16.10  
 Design API 6D, B16.34  
 Testing API 598, API 6D, BS 6755-1  
 Materials according to NACE MR0175

### Official approvals

CERTIFICATE FIRE SAFE  
 TA-LUFT VDI 2440  
 ISO 15848-1  
 CRYOGENIC  
 API 6D.  
 ATEX 2014/34/EU  
 PED 2014/68/EU  
 SIL 3 CAPABLE



### PEKOS GROUP CERTIFICATES:



### DIMENSIONS & Technical information

DN	CL	D	L	E	A	B	C	F	H	G	V	X	Y	Z	n x d	ISO 5211	Torque	MAST	Weight
1/2"	300	15	140	95	35	67	14	45	185	355	14	11	11	13,5	4 x 16	F05	29	80,6	4
3/4"	300	20	152	115	43	83	16	47	185	357	14	11	11	13,5	4 x 19	F05	34	80,6	6
1"	300	25	165	125	51	89	18	52	185	363	18	14	17	19,5	4 x 19	F05	40	175,2	8
1 1/2"	300	40	190	155	73	114	22	75	293	394	22	17	20	30	4 x 22	F07	88	464,1	13
2"	300	50	216	165	92	127	24	83	293	403	22	17	20	30	8 x 19	F07	146	464,1	17
2 1/2"	300	65	241	190	105	149	26	96	293	415	22	17	20	30	8 x 22	F07	187	464,1	24
3"	300	80	282	210	127	168	30	113	350	455	28	22	22	40	8 x 22	F10	312	968,5	35
4"	300	100	305	255	157	200	33	128	350	470	28	22	22	40	8 x 22	F10	450	968,5	57

\*\* Depending on service conditions.

\* Dimensions are in mm.

\* Torque & MAST are in Nm

\* Weight is in Kilogram

\* Torque values have been measured ΔP at maximum rating at room temperature

DS-1840  
 Rev.9