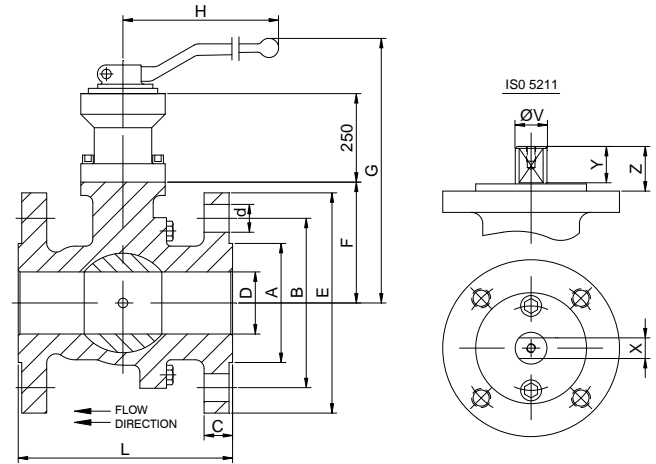
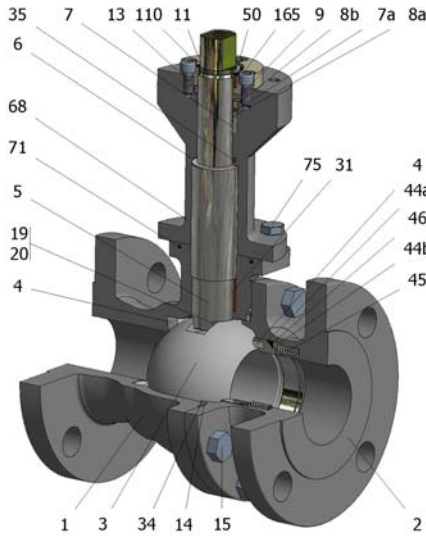


FIG.ZFOSU 16 KTTGN CL150 1/2"-8"



Position	Description	Material
01	Body 1	S.S. A351 CF8M
02	Body 2	S.S. A351 CF8M
03	Ball	S.S. A351 CF8M
04	Seat	PTFE
05	Stem	XM-19
06	Stem seal	PTFE
07	Stem packing 1	PTFE (modified)
07a	Stem packing 2	Graphite
08a	Gland packing 1	S.S. AISI 316
08b	Gland packing 2	S.S. AISI 316
09	Spring washer	S.S. AISI 301
11	Cover	S.S. A351 CF8M
13	Cover bolt	S.S. (316)
14	Body seal 1	PTFE (modified)
15	Body bolt	A320 B8M
16	Handle	WCB
17	Handle bolt	1.045(8.8)
19	Spring	S.S. AISI 316
20	Antistatic ball	S.S. AISI 316
31	Bearing	MU-316
34	Body seal 2	Graphite
35	O ring stem	NBR
44a	Ring seat 1	S.S. AISI 316
44b	Ring seat 2	S.S. AISI 316
45	Spring seat	Inconel X750
46	Seat seal	Graphite
50	Subjection ring	S.S. AISI 304
68	Stem extension casing	S.S. AISI 316
71	Extension seal	Graphite
75	Extension bolt	S.S. (316)
110	Subjection ring seal	S.S. AISI 316 Nitrided
165	Stem bearing	PTFE (modified)+FG

General features

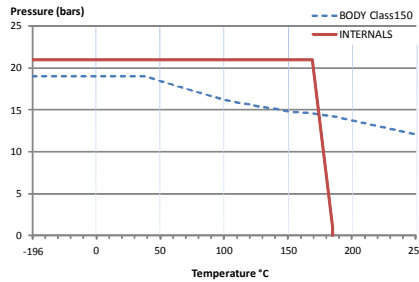
Floating ball.
Cryogenic.
Split body.
Full bore.
Soft seat.
Unidirectional.
Spring loaded seat system.
Anti Blow out proof stem.
Autoadjustable packing.
Anti static device.
Self-cavity pressure relief.
Degreased

Standards

Top flange ISO 5211
Flanges ANSI B16.5
Face to face ANSI B16.10
Design API 6D, B16.34
Testing API 598, API 6D, BS 6755-1
Materials according to NACE MR0175

Official approvals

CERTIFICATE FIRE SAFE
TA-LUFT VDI 2440
ISO 15848-1
API 6D.
CRYOGENIC
ATEX 2014/34/EU
PED 2014/68/EU
SIL 3 CAPABLE



PEKOS GROUP CERTIFICATES:



DIMENSIONS & Technical information

DN	CL	D	L	E	A	B	C	F	H	G	V	X	Y	Z	n x d	ISO 5211	Torque	MAST	Weight
1/2"	150	15	108	90	35	60	11	52	185	355	14	11	11	13,5	4 x 16	F05	19	80,6	3
3/4"	150	20	117	100	43	70	13	54	185	357	14	11	11	13,5	4 x 16	F05	22	80,6	4
1"	150	25	127	110	51	79	14	60	185	363	18	14	17	19,5	4 x 16	F05	34	175,2	5
1 1/2"	150	40	165	125	73	98	16	76	293	395	22	17	20	30	4 x 16	F07	67	464,1	9
2"	150	50	178	150	92	121	17	84	293	403	22	17	20	30	4 x 19	F07	99	464,1	13
2 1/2"	150	65	190	180	105	140	19	97	293	416	22	17	20	30	4 x 19	F07	130	464,1	20
3"	150	80	203	190	127	152	21	114	350	455	28	22	22	40	4 x 19	F10	214	968,5	27
4"	150	100	229	230	157	191	25	128	350	470	28	22	22	40	8 x 19	F10	300	968,5	38
6"	150	150	394	280	216	241	27	175	740	534	36	27	35	50	8 x 22	F12	832	1989,7	98
8"	150	200	457	345	270	298	30	245	750	612	48	36	40	63	8 x 22	F14	1498	4716,3	172

** Depending on service conditions.

* Dimensions are in mm.

* Torque & MAST are in Nm

* Weight is in Kilogram

* Torque values have been measured ΔP at maximum rating at room temperature

DS-2135
Rev.7