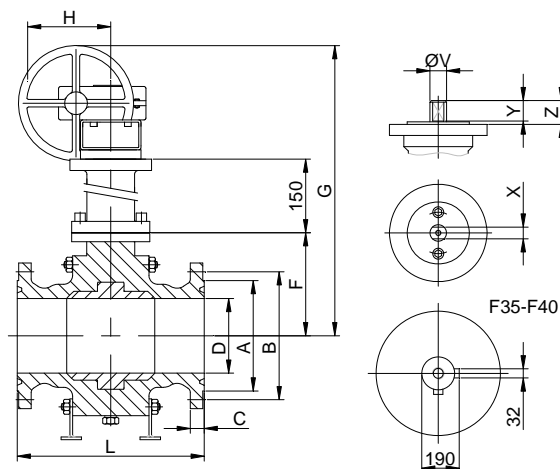
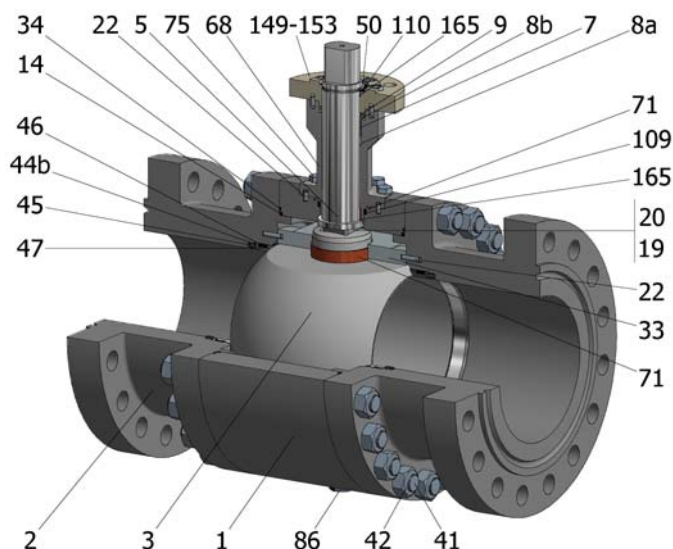


FIG.ZFGKMS 156 CGGG CL1500 3"-12" RTJ



Position	Description	Material
01	Body 1	S.S. AISI 316
02	Body 2	S.S. AISI 316
03	Ball	XM-19+Cr-Carbide
05	Stem	XM-19
07	Stem packing 1	Graphite
08a	Gland packing 1	S.S. AISI 316
08b	Gland packing 2	S.S. AISI 316
09	Spring washer	S.S. AISI 301
13	Cover bolt	S.S. (316)
14	Body seal 1	Graphite
19	Spring	S.S. AISI 316
20	Antistatic ball	S.S. AISI 316
22	Stop pin	S.S. AISI 316
31	Bearing	Carbongraphite
33	Support bearing	S.S. AISI 316
34	Body seal 2	Graphite
41	Stud	A193 B8M
42	Nut	A194 8M
44b	Ring seat 1	S.S. AISI 316
45	Spring	Inconel X750
46	Seat seal	Graphite
47	Metal seat	AISI 316+Cr-Carbide
50	Subjection ring	S.S. AISI 304
68	Stem extension casing	S.S. AISI 316
71	Extension seal	Graphite
75	Extension bolt	S.S. (316)
86	Drain plug	S.S. AISI 316
86a	Vent plug	S.S. AISI 316
109	Cover seal	Graphite
110	Subjection ring seal	S.S. AISI 316 Nitrided
149	ISO cover	S.S. AISI 316
151	Body cover 1	S.S. AISI 316
153	ISO cover bolt	S.S. (316)
165	Stem bearing	Carbongraphite

General features

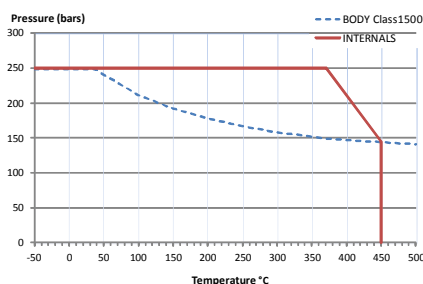
Full trunnion.
 Three pieces.
 Full bore.
 Metal to Metal.
 Bidirectional.
 Spring loaded seat system.
 Anti Blow out proof stem.
 Anti static device.
 Self-cavity pressure relief.
 Double Block and Bleed.

Standards

Top flange ISO 5211
 Flanges ANSI B16.5
 Face to face ANSI B16.10
 Testing API 598, API 6D, BS 6755-1
 Design AP 6D, B16.34
 Materials according to NACE MR0175

Official approvals

CERTIFICATE FIRE SAFE
 API 6D.
 ATEX 2014/34/EU
 PED 2014/68/EU
 SIL 3 CAPABLE



PEKOS GROUP CERTIFICATES:



DIMENSIONS & Technical information

DN	CL	D	L	E	A	B	C	F	H	G	V	X	Y	Z	n x d	ISO 5211	Torque	MAST	Weight
3"	1500	75	473	267	168	203	48	175	**	**	36	27	35	44	8 x 32	F14-1	1590	1989,7	110
4"	1500	100	549	311	194	241	54	190	**	**	36	27	35	40	8 x 35	F16-2	2460	1989,7	182
6"	1500	144	711	394	248	318	83	255	**	**	60	46	60	68	12 x 38	F25-1	6045	9359,9	390
8"	1500	192	841	483	318	394	92	333	**	**	72	55	70	83	12 x 44	F25	9415	16131,2	650
10"	1500	239	1000	584	371	483	108	368	**	**	72	55	70	83	12 x 51	F30-1	11840	16131,2	960
12"	1500	287	1146	673	438	572	124	400	**	**	98	75	100	106	16 x 54	F30	13940	40731,8	1320

** Depending on service conditions.

* Dimensions are in mm. * Torque & MAST are in Nm * Weight is in Kilogram

* Torque values have been measured ΔP at maximum rating at room temperature

DS-1266
 Rev.2