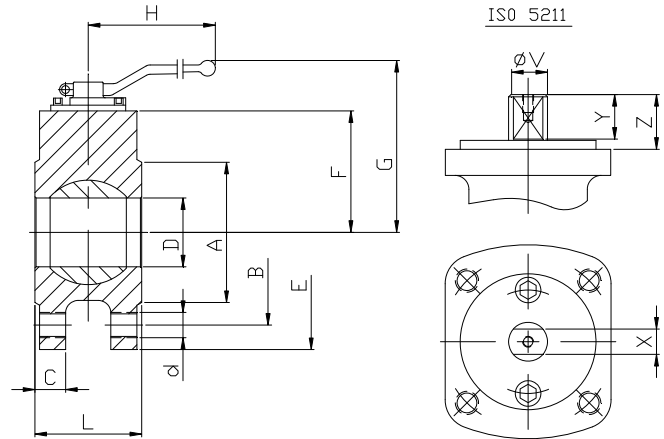
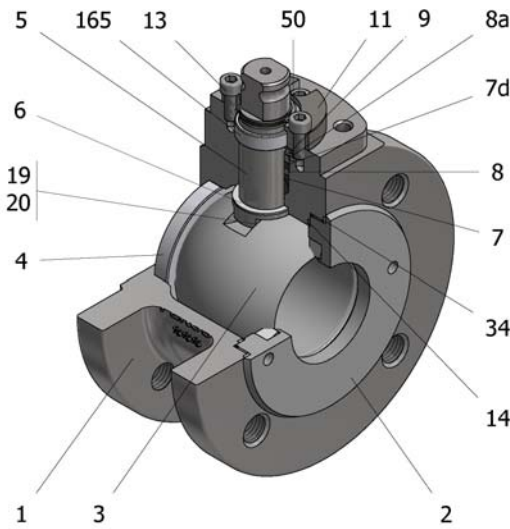


## FIG.Z 94 TTTGV CL150 3/4"-4"



Position	Description	Material
01	Body 1	C.S. A216 WCC
02	Body 2	C.S. A-105
03	Ball	S.S. A351 CF8M
04	Seat	PTFE (modified)
05	Stem	S.S. AISI 316
06	Stem seal	PTFE (modified)+FG
07	Stem packing 1	PTFE (modified)
07d	Stem packing 2	Graphite
08	Gland packing 1	S.S. AISI 316
08a	Gland packing 2	S.S. AISI 316
09	Spring washer	S.S. AISI 301
11	Cover	S.S. A351 CF8M
13	Cover bolt	S.S. (316)
14	Body seal 1	PTFE (modified)
16	Handle	WCB
17	Handle bolt	1.045(8.8)
19	Spring washer	S.S. AISI 316
20	Antistatic ball	S.S. AISI 316
34	Body seal 2	Graphite
35	O ring stem	FKM
50	Subjection ring	S.S. AISI 420
165	Stem guide seal	PTFE (modified)+FG

### General features

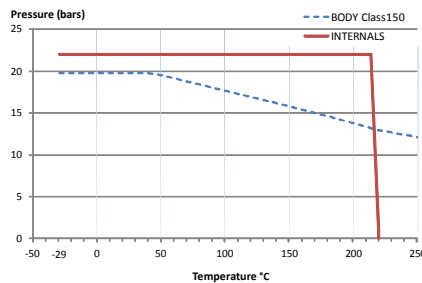
Floating ball.  
End entry.  
Full bore.  
Soft seat.  
Bidirectional.  
Anti Blow out proof stem.  
Autoadjustable packing.  
Anti static device.  
Self-cavity pressure relief.  
Short measure

### Standards

Top flange ISO 5211  
Flanges ANSI B16.5  
Design API 6D, B16.34  
Testing API 598, API 6D, BS 6755-1  
Materials according to NACE MR0175  
Face to face EN 558 serie 100

### Official approvals

TA-LUFT VDI 2440  
ISO 15848-1  
API 6D.  
ATEX 2014/34/EU  
PED 2014/68/EU  
SIL 3 CAPABLE  
CERTIFICATE FIRE SAFE



### PEKOS GROUP CERTIFICATES:

ISO 9001-2008 / 2014/68/EU / API-6D



### DIMENSIONS & Technical information

DN	CL	D	L	E	A	B	C	F	H	G	V	X	Y	Z	n x d	ISO 5211	Torque	MAST	Weight
3/4"	150	20	39	105	43	70	-	52	185	117	12	8	14	26	4 x 16	F03	11	35,6	2
1"	150	25	44	110	51	79	10	55	185	120	12	8	14	26	4 x 16	F03	16	35,6	3
1 1/2"	150	40	64	125	65	98	13	75	185	129	16	10	19	22	4 x 16	F05	32	78,1	6
2"	150	50	83	150	92	121	15	83	293	137	20	14	22	25	4 x 19	F07	48	170,9	7
2 1/2"	150	65	105	180	105	140	16	92	293	150	20	14	22	25	4 x 19	F07	62	170,9	10
3"	150	75	120	190	127	152	18	110	350	185	25	19	24	27	4 x 19	F10	103	354,1	14
4"	150	98	152	230	157	190	23	126	350	199	25	19	24	27	8 x 19	F10	145	354,1	22

\*\* Depending on service conditions.

\* Dimensions are in mm.

\* Torque & MAST are in Nm

\* Weight is in Kilogram

\* Torque values have been measured  $\Delta P$  at maximum rating at room temperature

DS-3069  
Rev.3