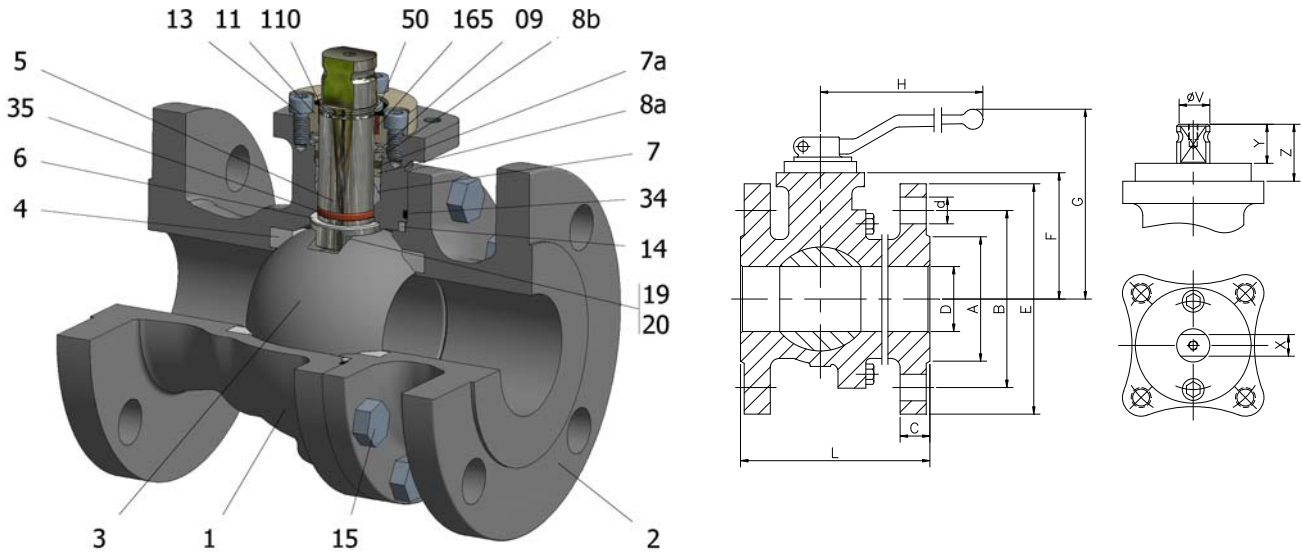


**FIG.Z 16 TTTGV CL150 1/2"-8"**



| Position | Description          | Material               |
|----------|----------------------|------------------------|
| 01       | Body 1               | S.S. A351 CF8M         |
| 02       | Body 2               | S.S. A351 CF8M         |
| 03       | Ball                 | S.S. A351 CF8M         |
| 04       | Seat                 | PTFE (modified)        |
| 05       | Stem                 | S.S. AISI 316          |
| 06       | Stem seal            | PTFE (modified)+FG     |
| 07       | Stem packing 1       | PTFE (modified)        |
| 07a      | Stem packing 2       | Graphite               |
| 08a      | Gland packing        | S.S. AISI 316          |
| 08b      | Gland packing 1      | S.S. AISI 316          |
| 09       | Spring washer        | S.S. AISI 301          |
| 11       | Cover                | S.S. A351 CF8M         |
| 13       | Cover bolt           | S.S. (316)             |
| 14       | Body seal 1          | PTFE (modified)        |
| 15       | Body bolt            | A193 B8M               |
| 16       | Handle               | WCB                    |
| 17       | Handle bolt          | 1.045(8.8)             |
| 19       | Spring               | S.S. AISI 316          |
| 20       | Antistatic ball      | S.S. AISI 316          |
| 34       | Body seal 2          | Graphite               |
| 35       | O ring stem          | FKM                    |
| 50       | Subjection ring      | S.S. AISI 420          |
| 110      | Subjection ring seal | S.S. AISI 316 Nitrided |
| 165      | Stem bearing         | PTFE (modified)+FG     |

**General features**

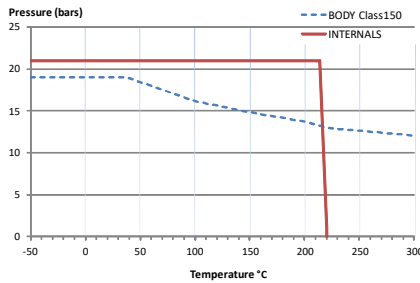
- Floating ball.
- Split body.
- Full bore.
- Soft seat.
- Bidirectional.
- Anti Blow out proof stem.
- Autoadjustable packing.
- Anti static device.
- Self-cavity pressure relief.

**Standards**

- Top flange ISO 5211
- Flanges ANSI B16.5
- Face to face ANSI B16.10
- Testing API 598, API 6D, BS 6755-1
- Design API 6D, B16.34
- Materials according to NACE MR0175

**Official approvals**

- CERTIFICATE FIRE SAFE
- TA-LUFT VDI 2440
- ISO 15848-1
- API 6D.
- ATEX 2014/34/EU
- PED 2014/68/EU
- SIL 3 CAPABLE
- EN 161/EN ISO 23553-1



**PEKOS GROUP CERTIFICATES:**

ISO 9001-2008 / 2014/68/EU / API-6D



**DIMENSIONS & Technical information**

| DN     | CL  | D   | L   | E   | A   | B   | C  | F   | H   | G   | V  | X  | Y  | Z    | n x d  | ISO 5211 | Torque | MAST   | Weight |
|--------|-----|-----|-----|-----|-----|-----|----|-----|-----|-----|----|----|----|------|--------|----------|--------|--------|--------|
| 1/2"   | 150 | 15  | 108 | 90  | 35  | 60  | 11 | 45  | 185 | 106 | 14 | 11 | 11 | 13,5 | 4 x 16 | F05      | 9      | 42,4   | 2      |
| 3/4"   | 150 | 20  | 117 | 100 | 43  | 70  | 12 | 47  | 185 | 108 | 14 | 11 | 11 | 13,5 | 4 x 16 | F05      | 11     | 42,4   | 3      |
| 1"     | 150 | 25  | 127 | 110 | 51  | 79  | 14 | 52  | 185 | 113 | 18 | 14 | 17 | 19,5 | 4 x 16 | F05      | 16     | 92,2   | 4      |
| 1 1/4" | 150 | 32  | 140 | 115 | 64  | 89  | 15 | 57  | 185 | 118 | 18 | 14 | 17 | 19,5 | 4 x 16 | F05      | 23     | 92,2   | 6      |
| 1 1/2" | 150 | 40  | 165 | 125 | 73  | 98  | 16 | 75  | 293 | 145 | 22 | 17 | 20 | 30   | 4 x 16 | F07      | 32     | 244,3  | 7      |
| 2"     | 150 | 50  | 178 | 150 | 92  | 121 | 17 | 83  | 293 | 153 | 22 | 17 | 20 | 30   | 4 x 19 | F07      | 48     | 244,3  | 10     |
| 2 1/2" | 150 | 65  | 190 | 180 | 105 | 140 | 19 | 96  | 293 | 166 | 22 | 17 | 20 | 30   | 4 x 19 | F07      | 62     | 244,3  | 17     |
| 3"     | 150 | 80  | 203 | 190 | 127 | 152 | 21 | 113 | 350 | 199 | 28 | 22 | 22 | 40   | 4 x 19 | F10      | 103    | 509,7  | 22     |
| 4"     | 150 | 100 | 229 | 230 | 157 | 191 | 25 | 128 | 350 | 221 | 28 | 22 | 22 | 40   | 8 x 19 | F10      | 145    | 509,7  | 32     |
| 6"     | 150 | 150 | 394 | 280 | 216 | 241 | 27 | 176 | 740 | 285 | 36 | 27 | 35 | 50   | 8 x 22 | F12      | 400    | 1047,2 | 81     |
| 8"     | 150 | 201 | 457 | 345 | 270 | 299 | 30 | 245 | 750 | 354 | 48 | 36 | 40 | 63   | 8 x 22 | F14      | 720    | 2482,2 | 143    |

\*\* Depending on service conditions.

\* Dimensions are in mm.

\* Torque & MAST are in Nm

\* Weight is in Kilograms

\* Torque values have been measured ΔP at maximum rating at room temperature

**DS-786**

Rev.9