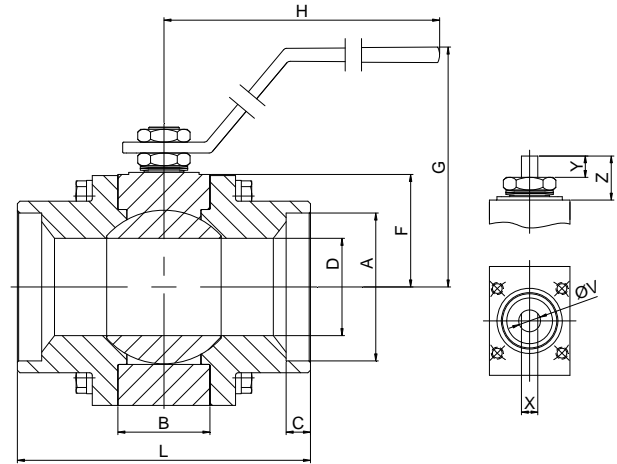
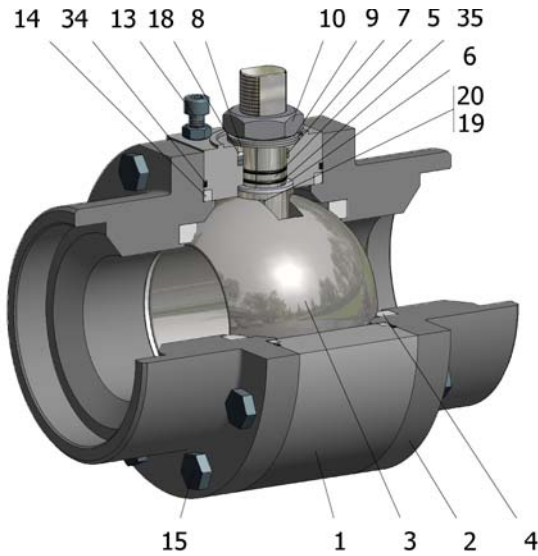


FIG.KRB 809 SGSGV CL400 4" SW



| Position | Description | Material |
|----------|-----------------|---------------------|
| 01 | Body 1 | C.S. A350 LF2/A-105 |
| 02 | Body 2 | C.S. A350 LF2/A-105 |
| 03 | Ball | A182 F316/316L |
| 04 | Seat | PTFE (modified)+CG |
| 05 | Stem | S.S. AISI 316/316L |
| 06 | Stem seal | PTFE (modified)+CG |
| 07 | Stem packing 1 | Graphite |
| 08 | Gland packing | S.S. AISI 316 |
| 09 | Spring washer | S.S. AISI 301 |
| 10 | Stem nut | S.S. AISI 304 |
| 13 | Stop bolt | S.S. (316) |
| 14 | Body seal 1 | PTFE (modified)+CG |
| 15 | Body bolt | A320 L7M |
| 16 | Handle | PAINTED C.S. |
| 18 | Thrust washer | PTFE (modified)+CG |
| 19 | Spring | S.S. AISI 316 |
| 20 | Antistatic ball | S.S. AISI 316 |
| 34 | Body seal 2 | Graphite |
| 35 | O ring stem | FKM |

General features

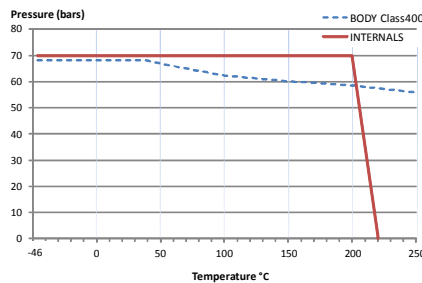
Floating ball.
 Three pieces.
 Reduced bore.
 Soft seat.
 Bidirectional.
 Anti Blow out proof stem.
 Autoadjustable packing.
 Anti static device.
 Self-cavity pressure relief.

Standards

Top flange ISO 5211
 Socket-welding ends B16.11
 Materials according to NACE MR0175
 Design B16.34
 Testing API 598, BS 6755-1

Official approvals

CERTIFICATE FIRE SAFE
 ATEX 2014/34/EU
 PED 2014/68/EU
 SIL 3 CAPABLE



PEKOS GROUP CERTIFICATES:

ISO 9001-2008 / 2014/68/EU / API-6D



DIMENSIONS & Technical information

| DN | CL | D | L | E | A | B | C | F | H | G | V | X | Y | Z | n x d | ISO 5211 | Torque | MAST | Weight |
|----|-----|----|-----|---|-------|----|----|----|-----|-----|----|----|----|----|-------|----------|--------|-------|--------|
| 4" | 400 | 76 | 305 | - | 115,5 | 72 | 19 | 88 | 425 | 170 | 24 | 18 | 20 | 37 | - x - | F07 | 120 | 310,3 | 34 |

** Depending on service conditions.

* Dimensions are in mm.

* Torque & MAST are in Nm

* Weight is in Kilogram

* Torque values have been measured ΔP at maximum rating at room temperature

DS-353

Rev.10