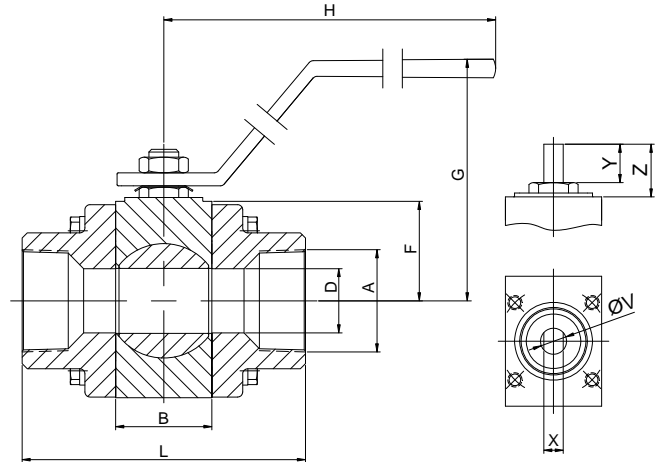
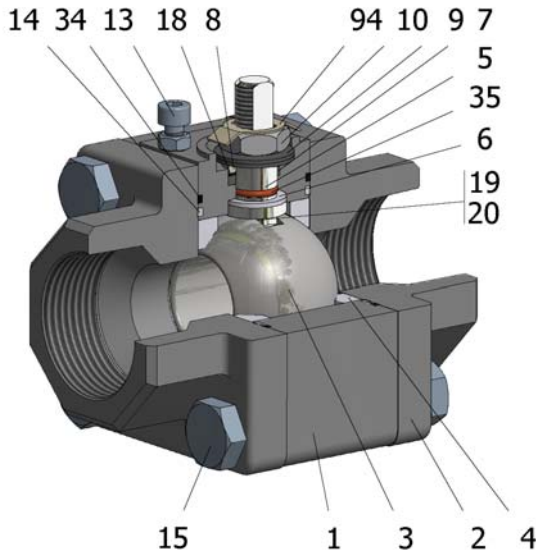


## FIG.KRB 806 SGSGV CL800 1/2"-2" NPT



Position	Description	Material
01	Body 1	A182 F316/316L
02	Body 2	A182 F316/316L
03	Ball	A182 F316/316L
04	Seat	PTFE (modified)+CG
05	Stem	S.S. AISI 316/316L
06	Stem seal	PTFE (modified)+CG
07	Stem packing 1	Graphite
08	Gland packing	S.S. AISI 316
09	Spring washer	S.S. AISI 301
10	Stem nut	S.S. AISI 304
13	Stop bolt	S.S. (316)
14	Body seal 1	PTFE (modified)+CG
15	Body bolt	A193 B8M
16	Handle	PAINTED C.S.
18	Thrust washer	PTFE (modified)+CG
19	Spring	S.S. AISI 316
20	Antistatic ball	S.S. AISI 316
34	Body seal 2	Graphite
35	O ring stem	FKM
94	Stop washer	S.S. AISI 301

### General features

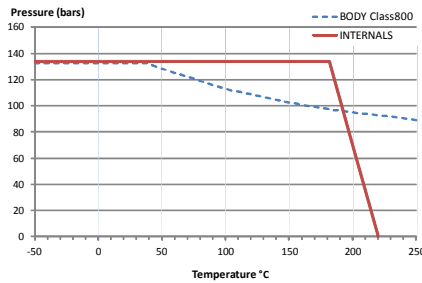
- Floating ball.
- Three pieces.
- Reduced bore.
- Soft seat.
- Bidirectional.
- Anti Blow out proof stem.
- Autoadjustable packing.
- Anti static device.
- Self-cavity pressure relief.
- Allows in-line maintenance

### Standards

- Top flange ISO 5211
- Threaded ends NPT
- Materials according to NACE MR0175
- Design B16.34
- Testing API 598, BS 6755-1

### Official approvals

- CERTIFICATE FIRE SAFE
- ATEX 2014/34/EU
- PED 2014/68/EU
- SIL 3 CAPABLE



### PEKOS GROUP CERTIFICATES: ISO 9001-2008 / 2014/68/EU / API-6D



### DIMENSIONS & Technical information

DN	CL	D	L	E	A	B	C	F	H	G	V	X	Y	Z	n x d	ISO 5211	Torque	MAST	Weight
1/2"	800	11	75	-	1/2"	19	-	31	145	82	10	5,5	7	9	- x -	F03	9	17,0	1
3/4"	800	15	80	-	3/4"	21	-	34	145	85	10	5,5	8	10	- x -	F03	12	17,0	1
1"	800	21	100	-	1"	28	-	39	180	101	12	7,5	11	14	- x -	F04	18	34,1	2
1 1/4"	800	25	110	-	1 1/4"	37	-	38	180	105	12	7,5	14	20	- x -	F04	25	34,1	3
1 1/2"	800	32	120	-	1 1/2"	44	-	41	180	108	15	9	18	26	- x -	F05	30	64,7	4
2"	800	38	140	-	2"	51	-	47	220	110	15	9	18	28	- x -	F05	35	64,7	6

\*\* Depending on service conditions.

\* Dimensions are in mm.

\* Torque & MAST are in Nm

\* Weight is in Kilogram

\* Torque values have been measured ΔP at maximum rating at room temperature

DS-421  
Rev.16