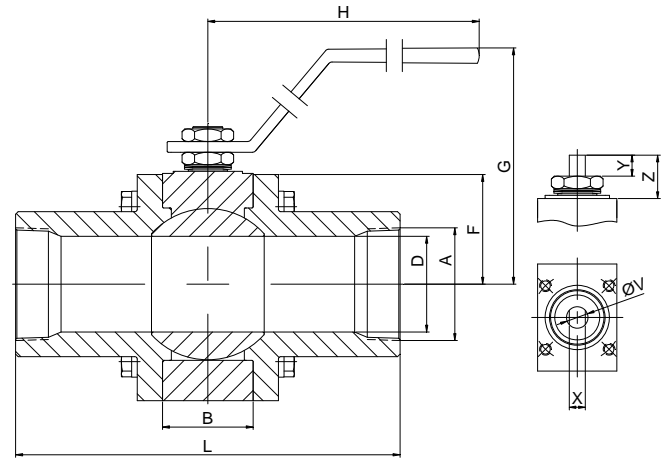
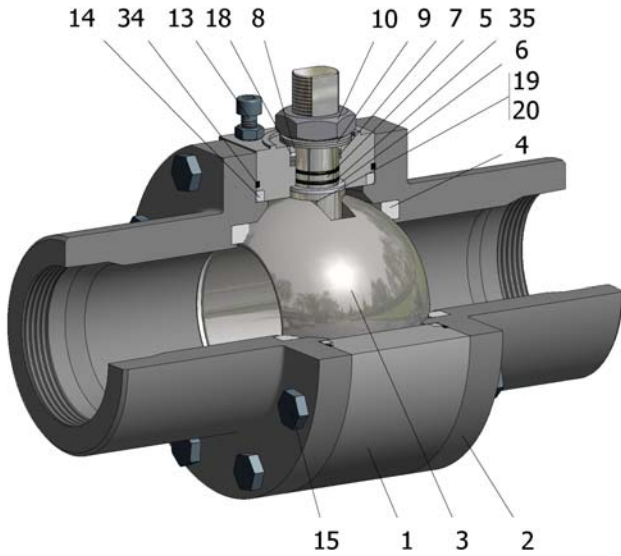


## FIG.K 809 SGSGV CL400 3" NPT



| Position | Description     | Material            |
|----------|-----------------|---------------------|
| 01       | Body 1          | C.S. A350 LF2/A-105 |
| 02       | Body 2          | C.S. A350 LF2/A-105 |
| 03       | Ball            | A182 F316/316L      |
| 04       | Seat            | PTFE (modified)+CG  |
| 05       | Stem            | S.S. AISI 316/316L  |
| 06       | Stem seal       | PTFE (modified)+CG  |
| 07       | Stem packing 1  | Graphite            |
| 08       | Gland packing   | S.S. AISI 316       |
| 09       | Spring washer   | S.S. AISI 301       |
| 10       | Stem nut        | S.S. AISI 304       |
| 13       | Stop bolt       | S.S. (316)          |
| 14       | Body seal 1     | PTFE (modified)+CG  |
| 15       | Body bolt       | A320 L7M            |
| 16       | Handle          | PAINTED C.S.        |
| 18       | Thrust washer   | PTFE (modified)+CG  |
| 19       | Spring          | S.S. AISI 316       |
| 20       | Antistatic ball | S.S. AISI 316       |
| 34       | Body seal 2     | Graphite            |
| 35       | O ring stem     | FKM                 |

### General features

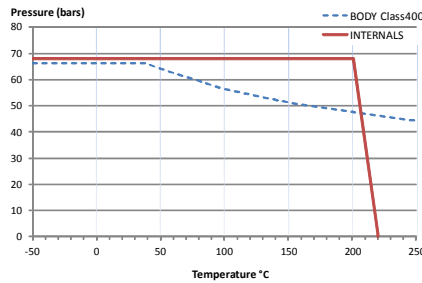
Floating ball.  
 Three pieces.  
 Full bore.  
 Soft seat.  
 Bidirectional.  
 Anti Blow out proof stem.  
 Autoadjustable packing.  
 Anti static device.  
 Self-cavity pressure relief.

### Standards

Top flange ISO 5211  
 Threaded ends NPT  
 Materials according to NACE MR0175  
 Design B16.34  
 Testing API 598, BS 6755-1

### Official approvals

CERTIFICATE FIRE SAFE  
 ATEX 2014/34/EU  
 PED 2014/68/EU  
 SIL 3 CAPABLE



### PEKOS GROUP CERTIFICATES:

ISO 9001-2008 / 2014/68/EU / API-6D



### DIMENSIONS & Technical information

| DN | CL  | D  | L   | E | A  | B  | C | F  | H   | G   | V  | X  | Y  | Z  | n x d | ISO 5211 | Torque | MAST  | Weight |
|----|-----|----|-----|---|----|----|---|----|-----|-----|----|----|----|----|-------|----------|--------|-------|--------|
| 3" | 400 | 76 | 305 | - | 3" | 72 | - | 88 | 425 | 170 | 24 | 18 | 20 | 37 | - x - | F07      | 120    | 310,3 | 18     |

\*\* Depending on service conditions.

\* Dimensions are in mm.

\* Torque & MAST are in Nm

\* Weight is in Kilogram

\* Torque values have been measured  $\Delta P$  at maximum rating at room temperature

DS-325

Rev.14