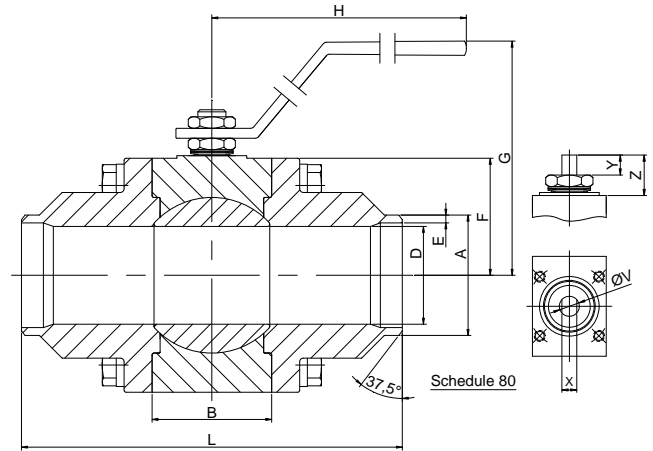
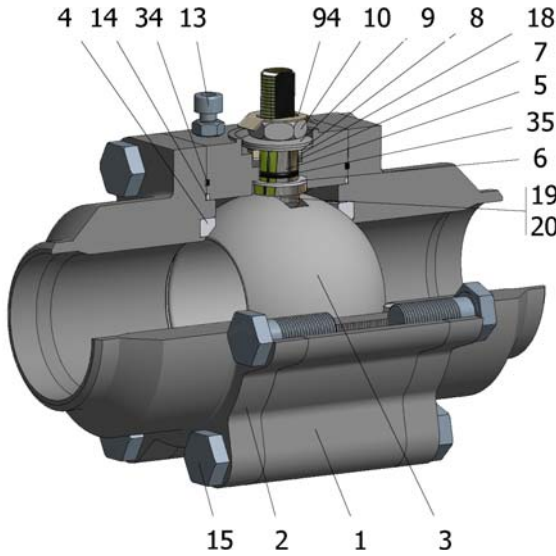


FIG.K 809 SGSGV CL600 2"-2 1/2" BW



| Position | Description | Material |
|----------|-----------------|---------------------|
| 01 | Body 1 | C.S. A350 LF2/A-105 |
| 02 | Body 2 | C.S. A350 LF2/A-105 |
| 03 | Ball | A182 F316/316L |
| 04 | Seat | PTFE (modified)+CG |
| 05 | Stem | S.S. AISI 316/316L |
| 06 | Stem seal | PTFE (modified)+CG |
| 07 | Stem packing 1 | Graphite |
| 08 | Gland packing | S.S. AISI 316 |
| 09 | Spring washer | S.S. AISI 301 |
| 10 | Stem nut | S.S. AISI 304 |
| 13 | Stop bolt | S.S. (316) |
| 14 | Body seal 1 | PTFE (modified)+CG |
| 15 | Body bolt | A320 L7M |
| 16 | Handle | PAINTED C.S. |
| 18 | Thrust washer | PTFE (modified)+CG |
| 19 | Spring | S.S. AISI 316 |
| 20 | Antistatic ball | S.S. AISI 316 |
| 34 | Body seal 2 | Graphite |
| 35 | O ring stem | FKM |
| 94 | Stop washer | S.S. AISI 301 |

General features

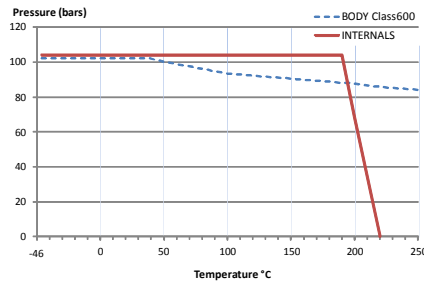
- Floating ball.
- Three pieces.
- Full bore.
- Soft seat.
- Bidirectional.
- Anti Blow out proof stem.
- Autoadjustable packing.
- Anti static device.
- Self-cavity pressure relief.

Standards

- Top flange ISO 5211
- Buttwelding ends B16.25
- Testing API 598, BS 6755-1
- Materials according to NACE MR0175
- Design B16.34

Official approvals

- CERTIFICATE FIRE SAFE
- ATEX 2014/34/EU
- PED 2014/68/EU
- SIL 3 CAPABLE



PEKOS GROUP CERTIFICATES: ISO 9001-2008 / 2014/68/EU /API-6D



DIMENSIONS & Technical information

| DN | CL | D | L | E | A | B | C | F | H | G | V | X | Y | Z | n x d | ISO 5211 | Torque | MAST | Weight |
|--------|-----|----|-----|------|------|----|---|----|-----|-----|----|----|----|----|-------|----------|--------|-------|--------|
| 2" | 600 | 49 | 191 | 5,54 | 60,3 | 60 | - | 58 | 233 | 119 | 15 | 9 | 16 | 24 | - x - | F05 | - | 64,7 | 10 |
| 2 1/2" | 600 | 62 | 210 | 7,01 | 73 | 72 | - | 70 | 425 | 143 | 22 | 16 | 22 | 31 | - x - | F07 | - | 233,7 | 14 |

** Depending on service conditions.

* Dimensions are in mm.

* Torque & MAST are in Nm

* Weight is in Kilogram

* Torque values have been measured ΔP at maximum rating at room temperature

DS-333
Rev.13