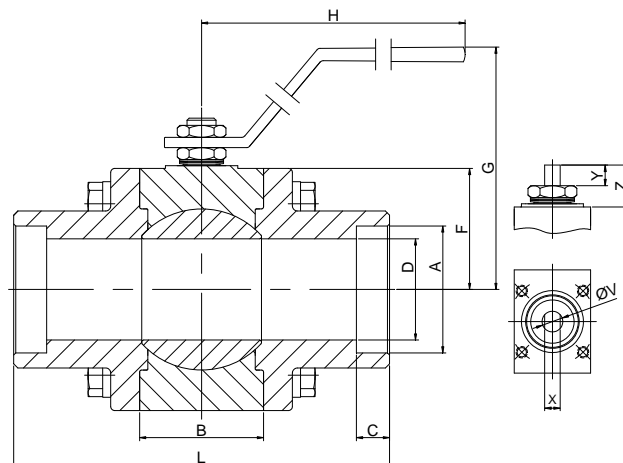
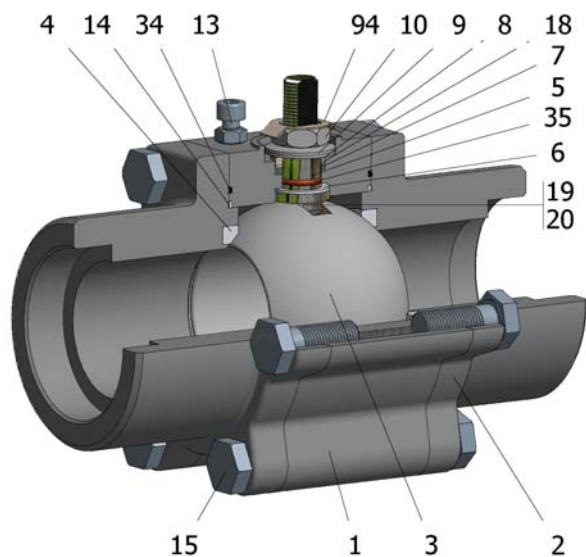


FIG.K 806 SGSGV CL600 2"-2 1/2" SW



Position	Description	Material
01	Body 1	A182 F316/316L
02	Body 2	A182 F316/316L
03	Ball	A182 F316/316L
04	Seat	PTFE (modified)+CG
05	Stem	S.S. AISI 316/316L
06	Stem seal	PTFE (modified)+CG
07	Stem packing 1	Graphite
08	Gland packing	S.S. AISI 316
09	Spring washer	S.S. AISI 301
10	Stem nut	S.S. AISI 304
13	Stop bolt	S.S. (316)
14	Body seal 1	PTFE (modified)+CG
15	Body bolt	A193 B8M
16	Handle	PAINTED C.S.
18	Thrust washer	PTFE (modified)+CG
19	Spring	S.S. AISI 316
20	Antistatic ball	S.S. AISI 316
34	Body seal 2	Graphite
35	O ring stem	FKM
94	Stop washer	S.S. AISI 301

General features

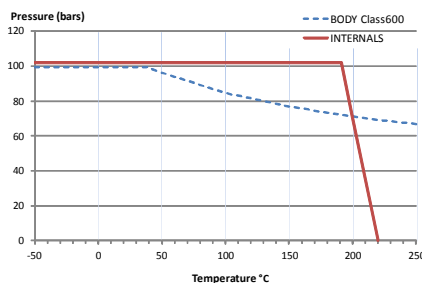
Floating ball.
 Three pieces.
 Full bore.
 Soft seat.
 Bidirectional.
 Anti Blow out proof stem.
 Autoadjustable packing.
 Anti static device.
 Self-cavity pressure relief.

Standards

Top flange ISO 5211
 Socket-welding ends B16.11
 Materials according to NACE MR0175
 Design B16.34
 Testing API 598, BS 6755-1

Official approvals

CERTIFICATE FIRE SAFE
 ATEX 2014/34/EU
 PED 2014/68/EU
 SIL 3 CAPABLE



PEKOS GROUP CERTIFICATES:

ISO 9001-2008 / 2014/68/EU /API-6D



DIMENSIONS & Technical information

DN	CL	D	L	E	A	B	C	F	H	G	V	X	Y	Z	n x d	ISO 5211	Torque	MAST	Weight
2"	600	49	191	-	61,5	60	16	58	233	119	15	9	16	24	- x -	F05	-	64,7	10
2 1/2"	600	62	210	-	74	72	16	70	425	143	22	16	22	31	- x -	F07	-	233,7	14

** Depending on service conditions.

* Dimensions are in mm.

* Torque & MAST are in Nm

* Weight is in Kilogram

* Torque values have been measured ΔP at maximum rating at room temperature

DS-387
 Rev.12