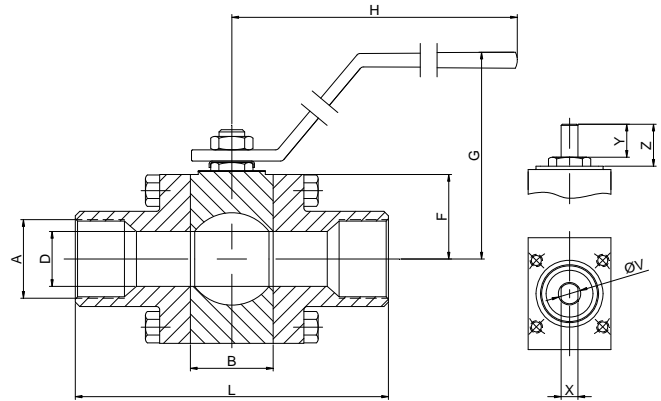
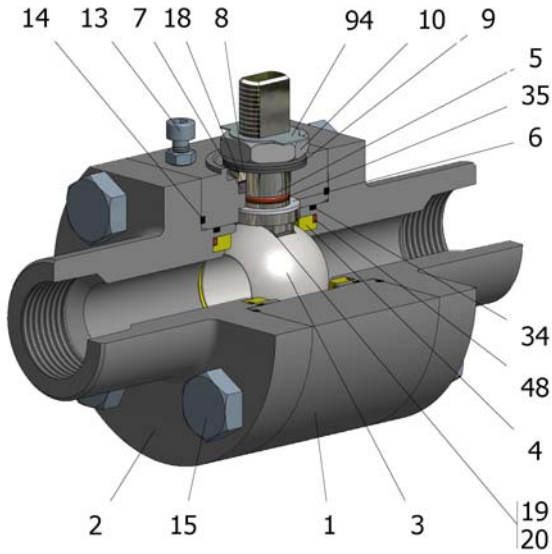


## FIG.K 256 NGGVV CL2500 1/4"-1" BSPP



Position	Description	Material
01	Body 1	A182 F316/316L
02	Body 2	A182 F316/316L
03	Ball	A182 F316/316L
04	Seat	DEVLON V
05	Stem	S.S. AISI 316/316L
06	Stem seal	PEEK
07	Stem packing 1	Graphite
08	Gland packing	S.S. AISI 316
09	Spring washer	S.S. AISI 301
10	Stem nut	S.S. AISI 304
13	Cover bolt	S.S. (316)
14	Body seal 1	Graphite
15	Body bolt	A193 B8M
16	Handle	WCB
17	Handle bolt	1.045(8.8)
18	Thrust washer	PTFE (modified)+CG
19	Spring	S.S. AISI 316
20	Antistatic ball	S.S. AISI 316
34	Body seal 2	FKM
35	O ring stem	FKM
48	O ring spring	FKM
94	Stop washer	S.S. AISI 304

### General features

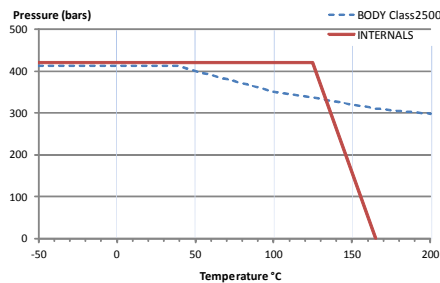
Floating ball.  
Three pieces.  
Full bore.  
Soft seat.  
Bidirectional.  
Anti Blow out proof stem.  
Autoadjustable packing.  
Anti static device.  
Self-cavity pressure relief.

### Standards

Top flange ISO 5211  
Threaded ends BSPP  
Materials according to NACE MR0175  
Design B16.34  
Testing API 598, BS 6755-1

### Official approvals

CERTIFICATE FIRE SAFE  
ATEX 2014/34/EU  
PED 2014/68/EU  
SIL 3 CAPABLE



### PEKOS GROUP CERTIFICATES: ISO 9001-2008 / 2014/68/EU / API-6D



### DIMENSIONS & Technical information

DN	CL	D	L	E	A	B	C	F	H	G	V	X	Y	Z	n x d	ISO 5211	Torque	MAST	Weight
1/4"	2500	11,1	100	-	1/4"	34	-	31	180	98	12	7,5	10	14	- x -	F03	14	34,1	3
3/8"	2500	11,1	100	-	3/8"	34	-	31	180	98	12	7,5	10	14	- x -	F03	14	34,1	3
1/2"	2500	11,1	100	-	1/2"	34	-	31	180	98	12	7,5	10	14	- x -	F03	14	34,1	3
3/4"	2500	15,5	127	-	3/4"	37	-	41	180	108	12	7,5	11	12	- x -	F04	26	34,1	5
1"	2500	21	140	-	1"	44	-	46	220	109	15	9	17	21	- x -	F05	37	64,7	6

\* Depending on service conditions.

\* Dimensions are in mm.

\* Torque & MAST are in Nm

\* Weight is in Kilogram

\* Torque values have been measured  $\Delta P$  at maximum rating at room temperature

DS-3981  
Rev.7