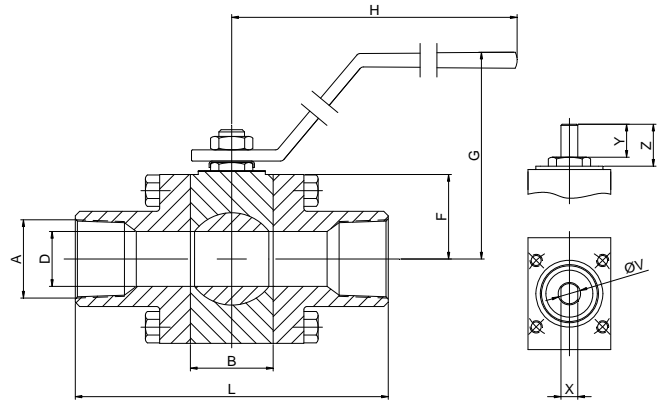
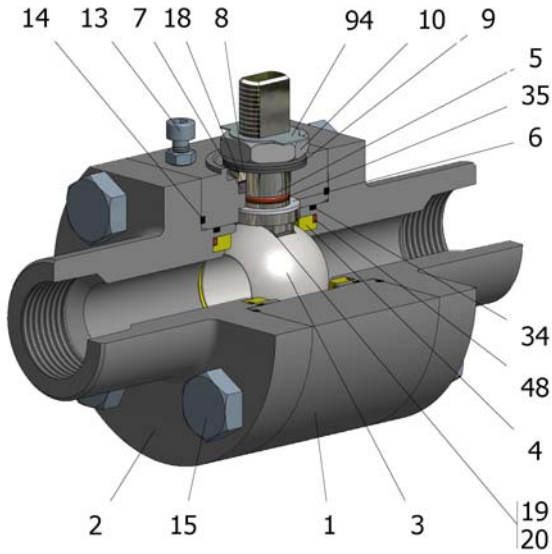


FIG.K 159 NGGVV CL1500 1/4"-2" NPT



Position	Description	Material
01	Body 1	C.S. A350 LF2/A-105
02	Body 2	C.S. A350 LF2/A-105
03	Ball	A182 F316/316L
04	Seat	DEVLON V
05	Stem	S.S. AISI 316/316L
06	Stem seal	PEEK
07	Stem packing 1	Graphite
08	Gland packing	S.S. AISI 316
09	Spring washer	S.S. AISI 301
10	Stem nut	S.S. AISI 304
13	Cover bolt	S.S. (316)
14	Body seal 1	Graphite
15	Body bolt	A320 L7M
16	Handle	WCB
17	Handle bolt	1.045(8.8)
18	Thrust washer	PTFE (modified)+CG
19	Spring	S.S. AISI 316
20	Antistatic ball	S.S. AISI 316
34	Body seal 2	FKM
35	O ring stem	FKM
48	O ring spring	FKM
94	Stop washer	S.S. AISI 304

General features

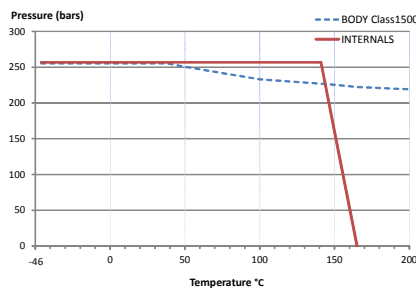
Floating ball.
Three pieces.
Full bore.
Soft seat.
Bidirectional.
Anti Blow out proof stem.
Autoadjustable packing.
Anti static device.
Self-cavity pressure relief.

Standards

Top flange ISO 5211
Threaded ends NPT
Materials according to NACE MR0175
Design B16.34
Testing API 598, BS 6755-1

Official approvals

CERTIFICATE FIRE SAFE
ATEX 2014/34/EU
PED 2014/68/EU
SIL 3 CAPABLE



PEKOS GROUP CERTIFICATES: ISO 9001-2008 / 2014/68/EU /API-6D



DIMENSIONS & Technical information

DN	CL	D	L	E	A	B	C	F	H	G	V	X	Y	Z	n x d	ISO 5211	Torque	MAST	Weight
1/4"	1500	11,1	100	-	1/4"	34	-	31	180	98	12	7,5	10	14	- x -	F03	14	34,1	3
3/8"	1500	11,1	100	-	3/8"	34	-	31	180	98	12	7,5	10	14	- x -	F03	14	34,1	3
1/2"	1500	11,1	100	-	1/2"	34	-	31	180	98	12	7,5	10	14	- x -	F03	14	34,1	3
3/4"	1500	15,5	127	-	3/4"	37	-	41	180	108	12	7,5	11	12	- x -	F04	26	34,1	5
1"	1500	21	140	-	1"	44	-	46	220	109	15	9	17	21	- x -	F05	37	64,7	6
1 1/4"	1500	34	170	-	1 1/4"	60	-	63	250	139	22	16	26	33	- x -	F07	120	233,7	14
1 1/2"	1500	34	170	-	1 1/2"	60	-	63	250	139	22	16	22	33	- x -	F07	120	233,7	14
2"	1500	43	200	-	2"	70	-	64	250	140	22	16	18	30	- x -	F07	145	233,7	18

** Depending on service conditions.

* Dimensions are in mm.

* Torque & MAST are in Nm

* Weight is in Kilogram

* Torque values have been measured ΔP at maximum rating at room temperature

DS-1848

Rev.16