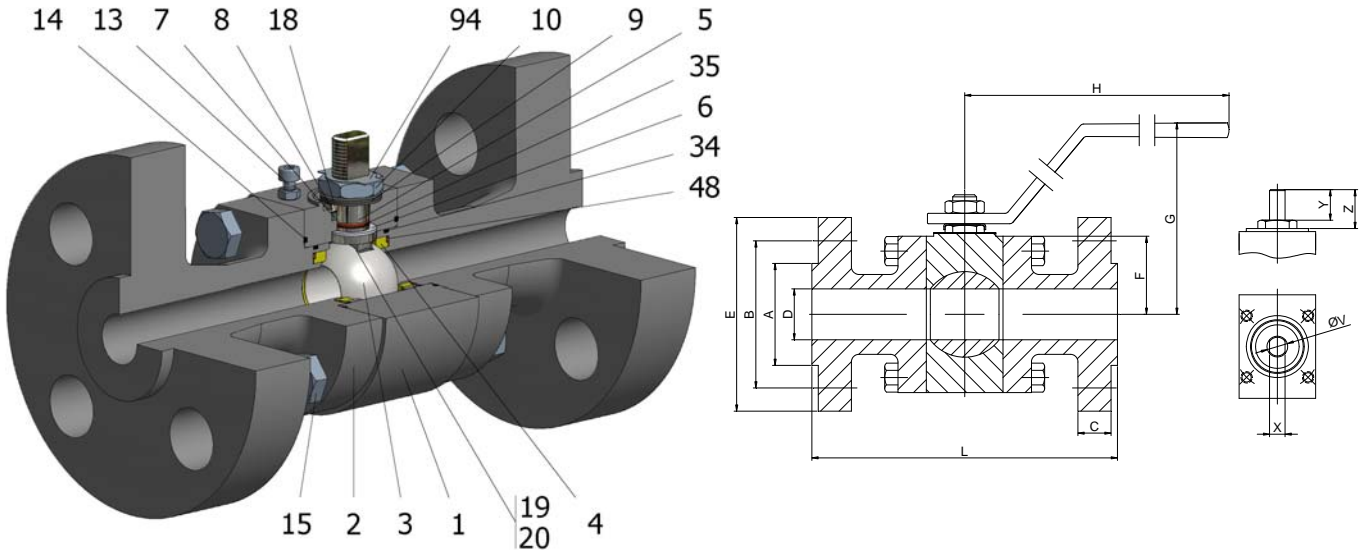


FIG.K 159 NGGVV CL1500 1/2"-2" RF



Position	Description	Material
01	Body 1	C.S. A350 LF2/A-105
02	Body 2	C.S. A350 LF2/A-105
03	Ball	S.S. AISI 316
04	Seat	DEVLON V
05	Stem	S.S. AISI 316
06	Stem seal	PEEK
07	Stem packing 1	Graphite
08	Gland packing	S.S. AISI 316
09	Spring washer	S.S. AISI 301
10	Stem nut	S.S. AISI 304
13	Cover bolt	S.S. (316)
14	Body seal 1	Graphite
15	Body bolt	A320 L7M
16	Handle	PAINTED C.S.
18	Thrust washer	PTFE (modified)+CG
19	Spring	S.S. AISI 316
20	Antistatic ball	S.S. AISI 316
34	Body seal 2	FKM
35	O ring stem	FKM
48	O ring spring	FKM
94	Stop washer	S.S. AISI 301

General features

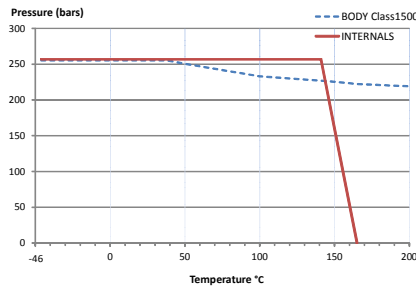
Floating ball.
Three pieces.
Full bore.
Soft seat.
Bidirectional.
Anti Blow out proof stem.
Autoadjustable packing.
Anti static device.
Self-cavity pressure relief.

Standards

Top flange ISO 5211
Flanges ANSI B16.5
Face to face ANSI B16.10
Materials according to NACE MR0175
Design B16.34
Testing API 598, BS 6755-1

Official approvals

CERTIFICATE FIRE SAFE
ATEX 2014/34/EU
PED 2014/68/EU
SIL 3 CAPABLE



PEKOS GROUP CERTIFICATES:

ISO 9001-2008 / 2014/68/EU / API-6D



DIMENSIONS & Technical information

DN	CL	D	L	E	A	B	C	F	H	G	V	X	Y	Z	n x d	ISO 5211	Torque	MAST	Weight
1/2"	1500	11,1	216	120	35	83	28	31	180	98	12	7,5	10	14	4 x 22	F03	14	34,1	7
3/4"	1500	15,5	229	130	43	89	31	41	180	108	12	7,5	11	12	4 x 22	F04	26	34,1	9
1"	1500	21	254	150	51	102	35	46	220	109	15	9	17	21	4 x 25	F05	37	64,7	12
1 1/4"	1500	34	279	160	64	111	35	63	250	139	22	16	26	33	4 x 25	F07	120	233,7	22
1 1/2"	1500	34	305	180	73	124	38	63	250	139	22	16	26	33	4 x 29	F07	120	233,7	23
2"	1500	43	368	215	92	165	44	64	250	140	22	16	20	30	8 x 25	F07	145	233,7	34

** Depending on service conditions.

* Dimensions are in mm.

* Torque & MAST are in Nm

* Weight is in Kilogram

* Torque values have been measured ΔP at maximum rating at room temperature

DS-2509
Rev.9