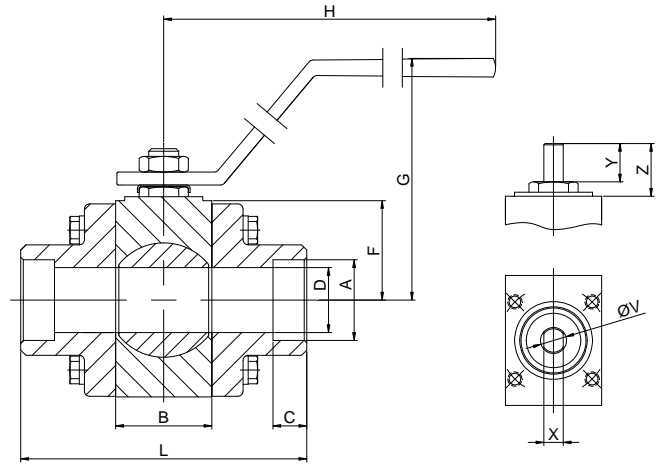
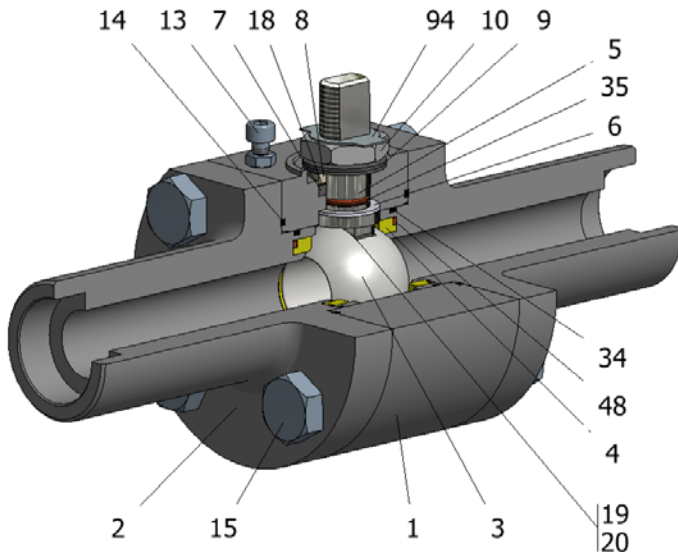


## FIG.K 156 NGGVV CL1500 1/4"-2" SW



Position	Description	Material
01	Body 1	A182 F316/316L
02	Body 2	A182 F316/316L
03	Ball	A182 F316/316L
04	Seat	DEVLON V
05	Stem	S.S. AISI 316/316L
06	Stem seal	PEEK
07	Stem packing 1	Graphite
08	Gland packing	S.S. AISI 316
09	Spring washer	S.S. AISI 301
10	Stem nut	S.S. AISI 304
13	Cover bolt	S.S. (316)
14	Body seal 1	Graphite
15	Body bolt	A193 B8M
16	Handle	WCB
17	Handle bolt	1.045(8.8)
18	Thrust washer	PTFE (modified)+CG
19	Spring	S.S. AISI 316
20	Antistatic ball	S.S. AISI 316
34	Body seal 2	FKM
35	O ring stem	FKM
48	O ring spring	FKM
94	Stop washer	S.S. AISI 304

### General features

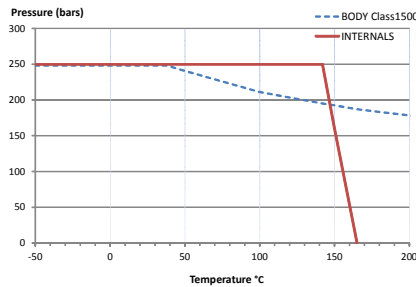
Floating ball.  
Three pieces.  
Full bore.  
Soft seat.  
Bidirectional.  
Anti Blow out proof stem.  
Autoadjustable packing.  
Anti static device.  
Self-cavity pressure relief.

### Standards

Top flange ISO 5211  
Socket-welding ends B16.11  
Face to face ANSI B16.10  
Materials according to NACE MR0175  
Design B16.34  
Testing API 598, BS 6755-1

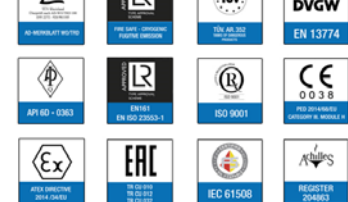
### Official approvals

CERTIFICATE FIRE SAFE  
ATEX 2014/34/EU  
PED 2014/68/EU  
SIL 3 CAPABLE



### PEKOS GROUP CERTIFICATES:

ISO 9001-2008 / 2014/68/EU / API-6D



### DIMENSIONS & Technical information

DN	CL	D	L	E	A	B	C	F	H	G	V	X	Y	Z	n x d	ISO 5211	Torque	MAST	Weight
1/4"	1500	11,1	216	-	14,5	34	9,5	31	180	98	12	7,5	10	14	- x -	F03	14	34,1	4
3/8"	1500	11,1	216	-	18	34	9,5	31	180	98	12	7,5	10	14	- x -	F03	14	34,1	4
1/2"	1500	11,1	216	-	22	34	9,5	31	180	98	12	7,5	10	14	- x -	F03	14	34,1	4
3/4"	1500	15,5	229	-	27,5	37	12,5	41	180	108	12	7,5	11	12	- x -	F04	26	34,1	6
1"	1500	21	254	-	34	44	12,5	46	220	109	15	9	17	21	- x -	F05	37	64,7	8
1 1/4"	1500	34	280	-	43	60	12,5	63	250	139	22	16	26	33	- x -	F07	120	233,7	16
1 1/2"	1500	34	305	-	49	60	12,5	63	250	139	22	16	26	33	- x -	F07	120	233,7	17
2"	1500	43	368	-	61,5	70	16	64	250	140	22	16	20	30	- x -	F07	145	233,7	24

\*\* Depending on service conditions.

\* Dimensions are in mm.

\* Torque & MAST are in Nm

\* Weight is in Kilogram

\* Torque values have been measured  $\Delta P$  at maximum rating at room temperature

DS-2209  
Rev.9