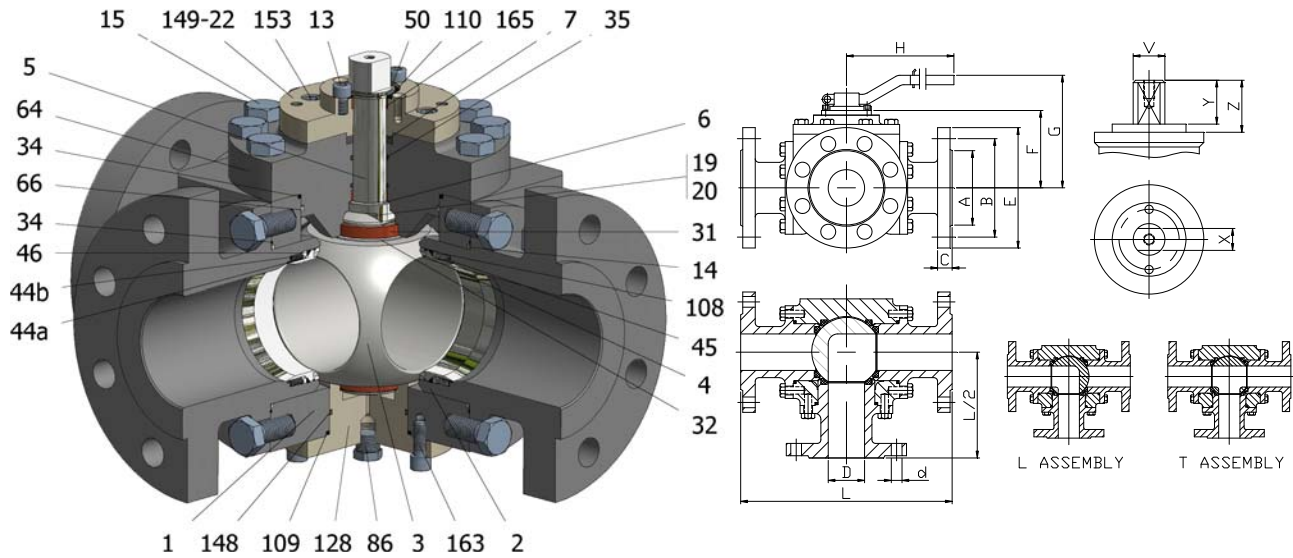


FIG.GS 84 SGSGV CL600 2"-3" L/T



Position	Description	Material
01	Body 1	C.S. A216 WCC
02	Body 2	C.S. A-105
03	Ball	S.S. A351 CF8M
04	Seat	PTFE (modified)+CG
05	Stem	A182 F51
06	Stem seal	PTFE (modified)+CG
07	Stem packing 1	Graphite
13	Cover bolt	S.S. (316)
14	Body seal 1	PTFE (modified)+CG
16	Handle	WCB
17	Handle bolt	1.045(8.8)
19	Spring	Inconel X750
20	Antistatic ball	Inconel 625
22	Stop pin	S.S. AISI 316
31	Bearing	MU
32	Bearing disk	PTFE (modified)+FG
34	Body seal 2	Graphite
35	O ring stem	FKM
41	Stud	A320 L7M
42	Nut	A194 7M
44a	Ring seat 1	S.S. AISI 316
44b	Ring seat 2	S.S. AISI 316
45	Spring seat	Inconel X750
46	Seat seal	Graphite
50	Subjection ring	S.S. AISI 420
64	Body cover	C.S. A-105
66	Body cover seal	PTFE (modified)+CG
86	Drain plug	C.S. A350 LF2
86a	Vent plug	C.S. A350 LF2
108	O ring seat	FKM
109	Cover seal	Graphite
110	Subjection ring seal	S.S. AISI 316 Nitrided
128	Body cover 2	C.S. A-105
148	O ring cover	FKM
149	ISO cover	C.S. A-105
153	ISO cover bolt	S.S. (316)
163	Body cover 2 bolt	S.S. (316)
165	Stem bearing	PTFE (modified)+FG

General features

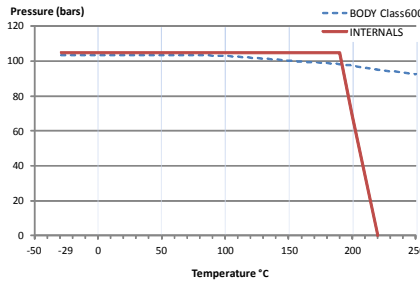
Full trunnion.
Three way.
Full bore.
Soft seat.
Bidirectional.
Fire Safe Design
Spring loaded seat system.
Anti Blow out proof stem.
Anti static device.
Self-cavity pressure relief.
Double Block and Bleed.

Standards

Top flange ISO 5211
Flanges ANSI B16.5
Face to face EN 558
Design API 6D, B16.34
Testing API 598, API 6D, BS 6755-1
Materials according to NACE MR0175

Official approvals

TA-LUFT VDI 2440
ISO 15848-1
API 6D.
ATEX 2014/34/EU
PED 2014/68/EU
SIL 3 CAPABLE



PEKOS GROUP CERTIFICATES:

ISO 9001-2008 / 2014/68/EU / API-6D



DIMENSIONS & Technical information

DN	CL	D	L	E	A	B	C	F	H	G	V	X	Y	Z	n x d	ISO 5211	Torque	MAST	Weight
2"	600	50	300	165	92	127	32	98	293	168	22	17	20	30	8 x 19	F07	240	549,6	40
3"	600	75	450	210	127	168	40	131	350	226	28	22	22	40	8 x 22	F10	630	1146,9	75

** Depending on service conditions.

* Dimensions are in mm. * Torque & MAST are in Nm * Weight is in Kilogram

* Torque values have been measured ΔP at maximum rating at room temperature

DS-3488

Rev.3