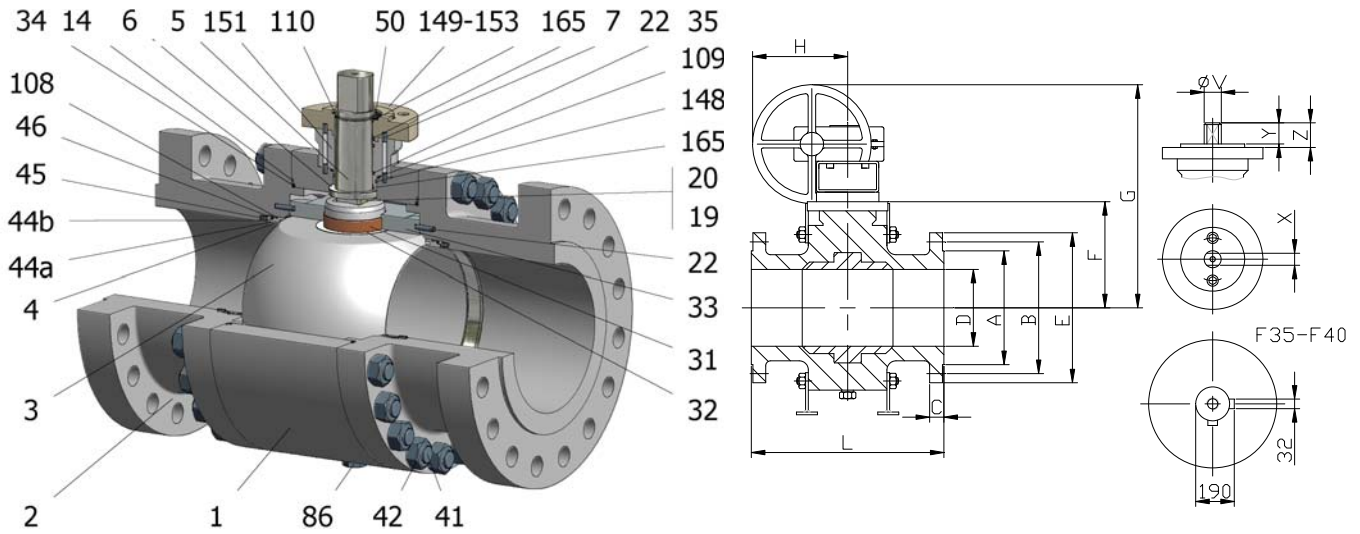


FIG.GKS 66 SGSGV CL600 4"-24"



Position	Description	Material
01	Body 1	A182 F316
02	Body 2	A182 F316
03	Ball	A182 F316
04	Seat	PTFE+CG
05	Stem	A182 F51
06	Stem seal	PEEK
07	Stem packing 1	Graphite
14	Body seal 1	PTFE+CG
19	Spring	Inconel X750
20	Antistatic ball	Inconel 625
22	Stop pin	S.S. AISI 316
31	Bearing	MU-316
32	Bearing disk	PTFE+FG
33	Support bearing	S.S. AISI 316
34	Body seal 2	Graphite
35	O ring stem	FKM
41	Stud	A193 B8M
42	Nut	A194 8M
44a	Ring seat 1	S.S. AISI 316
44b	Ring seat 2	S.S. AISI 316
45	Spring	Inconel X750
46	Seat seal	Graphite
50	Subjection ring	S.S. AISI 420
86	Drain plug	S.S. AISI 316
86a	Vent plug	S.S. AISI 316
108	O ring seat	FKM
109	Cover seal	Graphite
110	Subjection ring seal	S.S. AISI 316 Nitrided
148	O ring cover	FKM
149	ISO cover	S.S. AISI 316
151	Body cover 1	S.S. AISI 316
152	Body cover bolt	S.S. (316)
153	ISO cover bolt	S.S. (316)
165	Stem bearing	PTFE+FG

General features

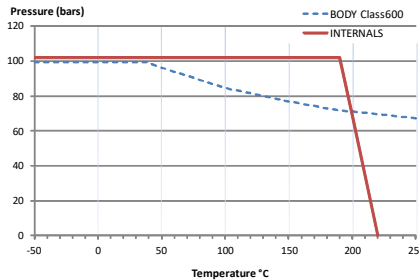
Full trunnion.
Three pieces.
Full bore.
Soft seat.
Bidirectional.
Spring loaded seat system.
Anti Blow out proof stem.
Anti static device.
Self-cavity pressure relief.
Double Block and Bleed.

Standards

Top flange ISO 5211
Flanges ANSI B16.5
Face to face ANSI B16.10
Design API 6D, B16.34
Testing API 598, API 6D, BS 6755-1
Materials according to NACE MR0175

Official approvals

CERTIFICATE FIRE SAFE
TA-LUFT VDI 2440
ISO 15848-1
ATEX 2014/34/EU
API 6D.
PED 2014/68/EU
SIL 3 CAPABLE



PEKOS GROUP CERTIFICATES:



DIMENSIONS & Technical information

DN	CL	D	L	E	A	B	C	F	H	G	V	X	Y	Z	n x d	ISO 5211	Torque	MAST	Weight
4"	600	100	432	275	157	216	45	175	336	547	36	27	35	50	8 x 25	F12	715	2356,2	108
6"	600	150	559	355	216	292	55	229	436	607	48	36	40	63	12 x 29	F14	1580	5585,0	232
8"	600	201	660	420	270	349	63	295	461	600	48	36	40	63	12 x 32	F16-1	2500	5585,0	415
10"	600	252	787	510	324	432	71	330	461	635	48	36	40	63	16 x 35	F16-1	3161	5585,0	659
12"	600	303	838	560	381	489	74	400	461	705	72	55	70	83	20 x 35	F25	3770	19102,7	880
14"	600	334	889	605	413	527	78	426	563	785	72	55	70	83	20 x 38	F25	6420	19102,7	1400
16"	600	385	991	685	470	603	84	465	578	824	72	55	70	83	20 x 41	F25	8600	19102,7	1696
18"	600	436	1092	745	533	654	90	511	781	946	98	75	100	106	20 x 45	F30	13120	48235,0	2994
20"	600	487	1194	815	584	724	95	545	**	**	98	75	100	106	24 x 45	F30	17800	48235,0	3475
22"	600	538	1295	870	641	778	101	596	**	**	120	32	67	220	24 x 48	F35	23760	32400,0	4680
24"	600	589	1397	940	692	838	108	622	**	**	120	32	67	220	24 x 51	F35	27560	32400,0	5200

DS-565
Rev.8