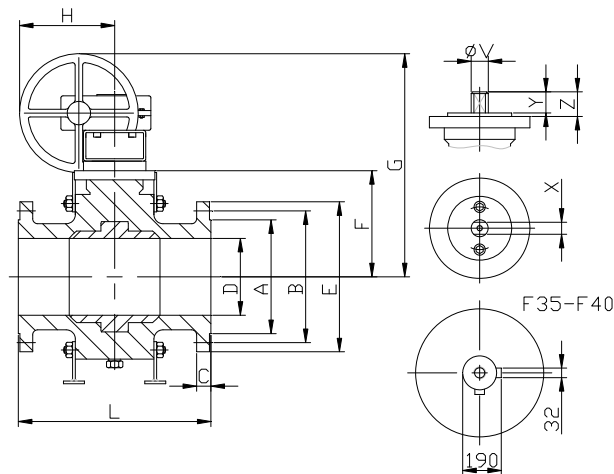
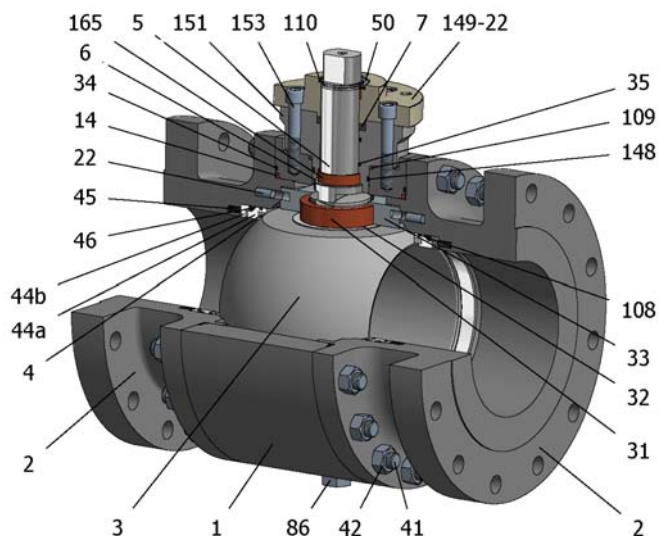


# FIG.GKS 19 SGSGV CL150 6"-24"



| Position | Description          | Material               |
|----------|----------------------|------------------------|
| 01       | Body 1               | C.S. A350 LF2          |
| 02       | Body 2               | C.S. A350 LF2          |
| 03       | Ball                 | A182 F316              |
| 04       | Seat                 | PTFE (modified)+CG     |
| 05       | Stem                 | A182 F51               |
| 06       | Stem seal            | PTFE (modified)+CG     |
| 07       | Stem packing 1       | Graphite               |
| 14       | Body seal 1          | PTFE (modified)+CG     |
| 19       | Spring               | Inconel X750           |
| 20       | Antistatic ball      | Inconel 625            |
| 22       | Stop pin             | S.S. AISI 316          |
| 31       | Bearing              | MU                     |
| 32       | Bearing disk         | PTFE (modified)+FG     |
| 33       | Support bearing      | S275JR+ENP             |
| 34       | Body seal 2          | Graphite               |
| 35       | O ring stem          | FKM                    |
| 41       | Stud                 | A320 L7M               |
| 42       | Nut                  | A194 7M                |
| 44a      | Ring seat 1          | S.S. AISI 316          |
| 44b      | Ring seat 2          | S.S. AISI 316          |
| 45       | Spring               | Inconel X750           |
| 46       | Seat seal            | Graphite               |
| 50       | Subjection ring      | S.S. AISI 304          |
| 86       | Drain plug           | C.S. A350 LF2          |
| 86a      | Vent plug            | C.S. A350 LF2          |
| 108      | O ring seat          | FKM                    |
| 109      | Cover seal           | Graphite               |
| 110      | Subjection ring seal | S.S. AISI 316 Nitrided |
| 148      | O ring cover         | FKM                    |
| 149      | ISO cover            | C.S. A350 LF2          |
| 151      | Body cover 1         | C.S. A350 LF2          |
| 152      | Body cover bolt      | S.S. (316)             |
| 153      | ISO cover bolt       | S.S. (316)             |
| 165      | Stem bearing         | PTFE (modified)+FG     |

### General features

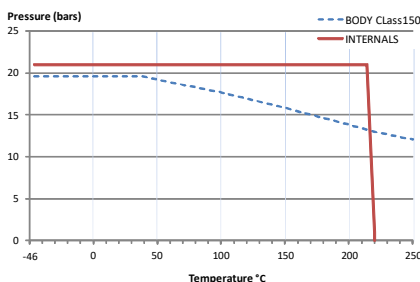
Full trunnion.  
 Three pieces.  
 Full bore.  
 Soft seat.  
 Bidirectional.  
 Spring loaded seat system.  
 Anti Blow out proof stem.  
 Anti static device.  
 Self-cavity pressure relief.  
 Double Block and Bleed.

### Standards

Top flange ISO 5211  
 Flanges ANSI B16.5  
 Face to face ANSI B16.10  
 Design AP 6D, B16.34  
 Testing API 598, API 6D, BS 6755-1  
 Materials according to NACE MR0175

### Official approvals

CERTIFICATE FIRE SAFE  
 TA-LUFT VDI 2440  
 ISO 15848-1  
 API 6D.  
 ATEX 2014/34/EU  
 PED 2014/68/EU  
 SIL 3 CAPABLE



### PEKOS GROUP CERTIFICATES:



### DIMENSIONS & Technical information

| DN  | CL  | D   | L    | E   | A   | B   | C  | F   | H   | G    | V  | X  | Y   | Z   | n x d   | ISO 5211 | Torque | MAST    | Weight |
|-----|-----|-----|------|-----|-----|-----|----|-----|-----|------|----|----|-----|-----|---------|----------|--------|---------|--------|
| 6"  | 150 | 150 | 394  | 280 | 216 | 241 | 27 | 210 | 271 | 531  | 36 | 27 | 35  | 50  | 8 x 22  | F12      | 640    | 2356,2  | 115    |
| 8"  | 150 | 201 | 457  | 345 | 270 | 299 | 30 | 265 | 336 | 647  | 48 | 36 | 40  | 63  | 8 x 22  | F14      | 990    | 5585,0  | 200    |
| 10" | 150 | 252 | 533  | 405 | 324 | 362 | 32 | 301 | 336 | 683  | 48 | 36 | 40  | 63  | 12 x 25 | F14      | 1340   | 5585,0  | 385    |
| 12" | 150 | 303 | 610  | 485 | 381 | 432 | 33 | 363 | 355 | 661  | 60 | 46 | 60  | 73  | 12 x 25 | F16      | 1660   | 11084,1 | 515    |
| 14" | 150 | 337 | 686  | 535 | 413 | 476 | 36 | 393 | 355 | 691  | 60 | 46 | 60  | 73  | 12 x 29 | F16      | 2815   | 11084,1 | 690    |
| 16" | 150 | 385 | 762  | 595 | 470 | 540 | 38 | 433 | 430 | 788  | 60 | 46 | 60  | 73  | 16 x 29 | F16      | 3790   | 11084,1 | 1220   |
| 18" | 150 | 436 | 864  | 635 | 527 | 578 | 41 | 500 | 480 | 905  | 72 | 55 | 70  | 83  | 16 x 32 | F25      | 5100   | 19102,7 | 1700   |
| 20" | 150 | 487 | 914  | 700 | 584 | 635 | 44 | 534 | 532 | 943  | 72 | 55 | 70  | 83  | 20 x 32 | F25      | 6400   | 19102,7 | 2100   |
| 24" | 150 | 589 | 1067 | 815 | 692 | 749 | 48 | 622 | 781 | 1057 | 98 | 75 | 100 | 106 | 20 x 35 | F30      | 8530   | 48235,0 | 3550   |

\*\* Depending on service conditions.

\* Dimensions are in mm.

\* Torque & MAST are in Nm

\* Weight is in Kilograms

\* Torque values have been measured ΔP at maximum rating at room temperature

DS-307  
Rev.9

