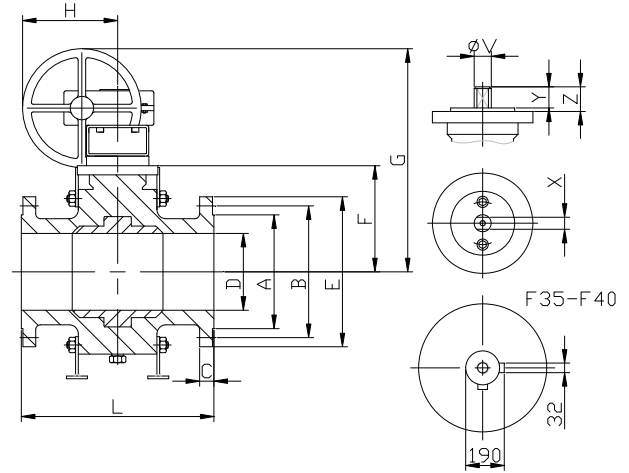
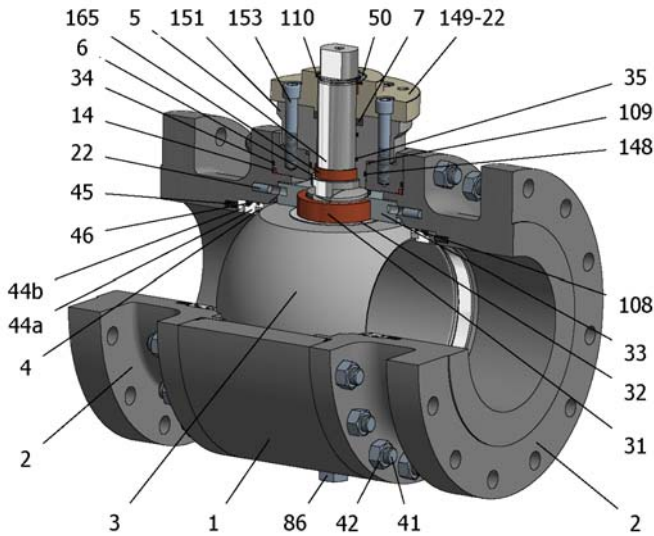


FIG.GKS 16 SGSGV CL150 6"-24"



| Position | Description | Material |
|----------|----------------------|------------------------|
| 01 | Body 1 | A182 F316 |
| 02 | Body 2 | A182 F316 |
| 03 | Ball | A182 F316 |
| 04 | Seat | PTFE (modified)+CG |
| 05 | Stem | A182 F51 |
| 06 | Stem seal | PTFE (modified)+CG |
| 07 | Stem packing 1 | Graphite |
| 14 | Body seal 1 | PTFE (modified)+CG |
| 19 | Spring | Inconel X750 |
| 20 | Antistatic ball | Inconel 625 |
| 22 | Stop pin | S.S. AISI 316 |
| 31 | Bearing | MU-316 |
| 32 | Bearing disk | PTFE (modified)+FG |
| 33 | Support bearing | S.S. AISI 316 |
| 34 | Body seal 2 | Graphite |
| 35 | O ring stem | FKM |
| 41 | Stud | A193 B8M |
| 42 | Nut | A194 8M |
| 44a | Ring seat 1 | S.S. AISI 316 |
| 44b | Ring seat 2 | S.S. AISI 316 |
| 45 | Spring | Inconel X750 |
| 46 | Seat seal | Graphite |
| 50 | Subjection ring | S.S. AISI 420 |
| 86 | Drain plug | S.S. AISI 316 |
| 86a | Vent plug | S.S. AISI 316 |
| 108 | O ring seat | FKM |
| 109 | Cover seal | Graphite |
| 110 | Subjection ring seal | S.S. AISI 316 Nitrided |
| 148 | O ring cover | FKM |
| 149 | ISO cover | S.S. AISI 316 |
| 151 | Body cover 1 | S.S. AISI 316 |
| 152 | Body cover bolt | S.S. (316) |
| 153 | ISO cover bolt | S.S. (316) |
| 165 | Stem bearing | PTFE (modified)+FG |

General features

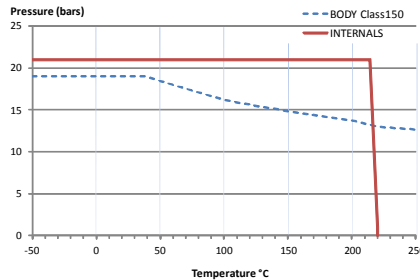
Full trunnion.
Three pieces.
Full bore.
Soft seat.
Bidirectional.
Spring loaded seat system.
Anti Blow out proof stem.
Anti static device.
Self-cavity pressure relief.
Double Block and Bleed.

Standards

Top flange ISO 5211
Flanges ANSI B16.5
Face to face ANSI B16.10
Testing API 598, API 6D, BS 6755-1
Design API 6D, B16.34
Materials according to NACE MR0175

Official approvals

CERTIFICATE FIRE SAFE
TA-LUFT VDI 2440
ISO 15848-1
API 6D.
ATEX 2014/34/EU
PED 2014/68/EU
SIL 3 CAPABLE



PEKOS GROUP CERTIFICATES:



DIMENSIONS & Technical information

| DN | CL | D | L | E | A | B | C | F | H | G | V | X | Y | Z | n x d | ISO 5211 | Torque | MAST | Weight |
|-----|-----|-----|------|-----|-----|-----|----|-----|-----|------|----|----|-----|-----|---------|----------|--------|---------|--------|
| 6" | 150 | 150 | 394 | 280 | 216 | 241 | 27 | 210 | 271 | 531 | 36 | 27 | 35 | 50 | 8 x 22 | F12 | 640 | 2356,2 | 115 |
| 8" | 150 | 201 | 457 | 345 | 270 | 299 | 30 | 265 | 336 | 647 | 48 | 36 | 40 | 63 | 8 x 22 | F14 | 990 | 5585,0 | 200 |
| 10" | 150 | 252 | 533 | 405 | 324 | 362 | 32 | 301 | 336 | 683 | 48 | 36 | 40 | 63 | 12 x 25 | F14 | 1340 | 5585,0 | 385 |
| 12" | 150 | 303 | 610 | 485 | 381 | 432 | 33 | 363 | 355 | 661 | 60 | 46 | 60 | 73 | 12 x 25 | F16 | 1660 | 11084,1 | 515 |
| 14" | 150 | 337 | 686 | 535 | 413 | 476 | 36 | 393 | 355 | 691 | 60 | 46 | 60 | 73 | 12 x 29 | F16 | 2815 | 11084,1 | 690 |
| 16" | 150 | 385 | 762 | 595 | 470 | 540 | 38 | 433 | 430 | 788 | 60 | 46 | 60 | 73 | 16 x 29 | F16 | 3790 | 11084,1 | 1220 |
| 18" | 150 | 436 | 864 | 635 | 527 | 578 | 41 | 500 | 480 | 905 | 72 | 55 | 70 | 83 | 16 x 32 | F25 | 5100 | 19102,7 | 1700 |
| 20" | 150 | 487 | 914 | 700 | 584 | 635 | 44 | 534 | 532 | 943 | 72 | 55 | 70 | 83 | 20 x 32 | F25 | 6400 | 19102,7 | 2100 |
| 24" | 150 | 589 | 1067 | 815 | 692 | 749 | 48 | 622 | 781 | 1057 | 98 | 75 | 100 | 106 | 20 x 35 | F30 | 8530 | 48235,0 | 3550 |

** Depending on service conditions.

* Dimensions are in mm.

* Torque & MAST are in Nm

* Weight is in Kilogram

* Torque values have been measured ΔP at maximum rating at room temperature

DS-2432
Rev.5