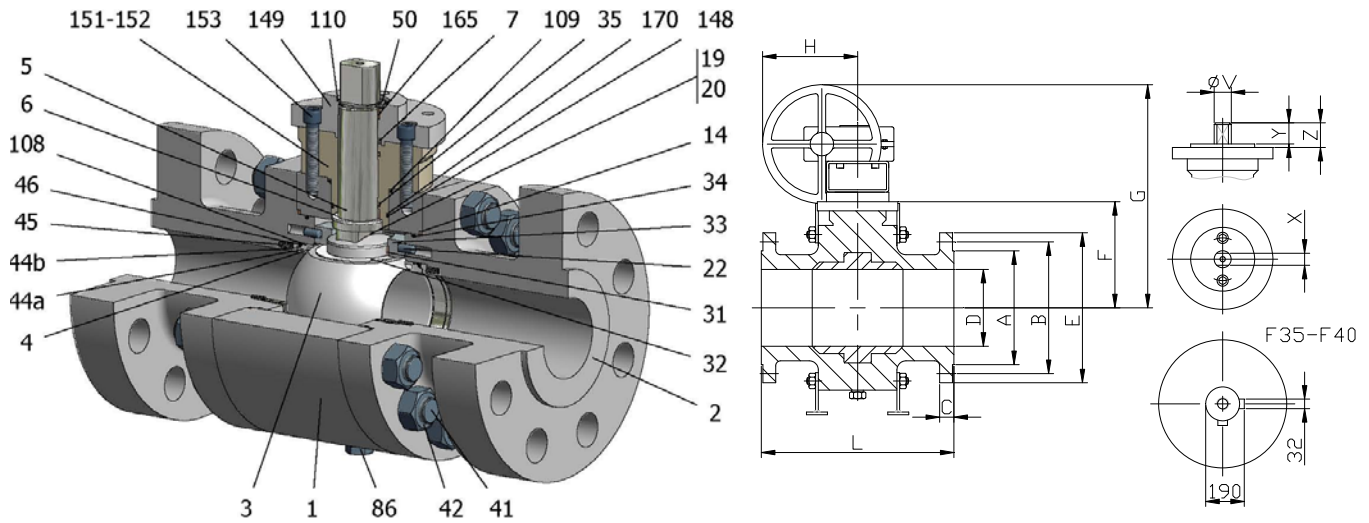


FIG.GKS 159 NGGVV CL1500 3"-16"



Position	Description	Material
01	Body 1	C.S. A350 LF2
02	Body 2	C.S. A350 LF2
03	Ball	A182 F51
04	Seat	DEVLON V
05	Stem	A182 F51
06	Stem seal	PEEK
07	Stem packing 1	Graphite
13	Cover bolt	S.S. (316)
14	Body seal 1	Graphite
19	Spring	Inconel X750
20	Antistatic ball	Inconel 625
22	Stop pin	S.S. AISI 316
31	Bearing	MU
32	Bearing disk	PTFE (modified)+FG
33	Support bearing	S275JR+ENP
34	Body seal 2	FKM
35	O ring stem	FKM
41	Stud	A193 L7M
42	Nut	A194 7M
44a	Ring seat 1	S.S. AISI 316
44b	Ring seat 2	S.S. AISI 316
45	Spring	Inconel X750
46	Seat seal	Graphite
50	Subjection ring	S.S. AISI 304
86	Drain plug	C.S. A350 LF2
108	O ring seat	FKM
109	Cover seal	Graphite
110	Subjection ring seal	S.S. AISI 316 Nitrided
148	O ring cover	FKM
149	ISO cover	C.S. A350 LF2
151	Body cover 1	C.S. A350 LF2
152	Body cover bolt	S.S. (316)
153	ISO cover bolt	S.S. (316)
165	Stem bearing	PTFE (modified)+FG
170	O stop seal	PTFE (modified)+CG

General features

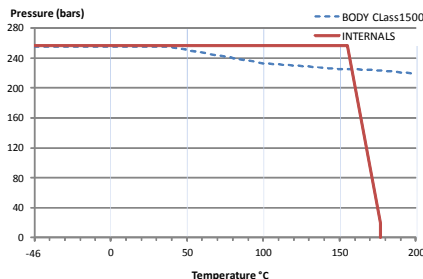
Full trunnion.
Three pieces.
Full bore.
Soft seat.
Bidirectional.
Spring loaded seat system.
Anti Blow out proof stem.
Anti static device.
Self-cavity pressure relief.
Double Block and Bleed.

Standards

Top flange ISO 5211
Flanges ANSI B16.5
Face to face ANSI B16.10
Testing API 598, API 6D, BS 6755-1
Design AP 6D, B16.34
Materials according to NACE MR0175

Official approvals

CERTIFICATE FIRE SAFE
ATEX 2014/34/EU
PED 2014/68/EU
API 6D.
SIL 3 CAPABLE



PEKOS GROUP CERTIFICATES:

ISO 9001-2008 / 2014/68/EU / API-6D



DIMENSIONS & Technical information

DN	CL	D	L	E	A	B	C	F	H	G	V	X	Y	Z	n x d	ISO 5211	Torque	MAST	Weight
3"	1500	75	470	265	127	203	54	175	271	496	36	27	35	50	8 x 32	F12	880	2356,2	110
4"	1500	100	546	310	157	241	60	200	336	582	36	27	35	44	8 x 35	F14-1	1365	2356,2	182
6"	1500	144	705	395	216	318	89	257	511	732	48	36	40	63	12 x 38	F16-1	3360	5585,0	390
8"	1500	192	832	485	270	394	98	333	511	868	72	55	70	83	12 x 45	F25	5230	19102,7	650
10"	1500	239	991	585	324	483	114	379	613	968	72	55	70	83	12 x 51	F25	6580	19102,7	960
12"	1500	287	1130	675	381	572	130	442	613	1051	72	55	70	83	16 x 54	F25	7740	19102,7	1320
14"	1500	315	1257	750	413	635	140	455	628	1154	98	75	100	106	16 x 60	F30	13180	48235,0	1320
16"	1500	360	1384	825	470	705	152	476	**	**	120	32	67	220	16 x 67	F35	17500	32400,0	2360

** Depending on service conditions.

* Dimensions are in mm.

* Torque & MAST are in Nm

* Weight is in Kilogram

* Torque values have been measured ΔP at maximum rating at room temperature

DS-303
Rev.5