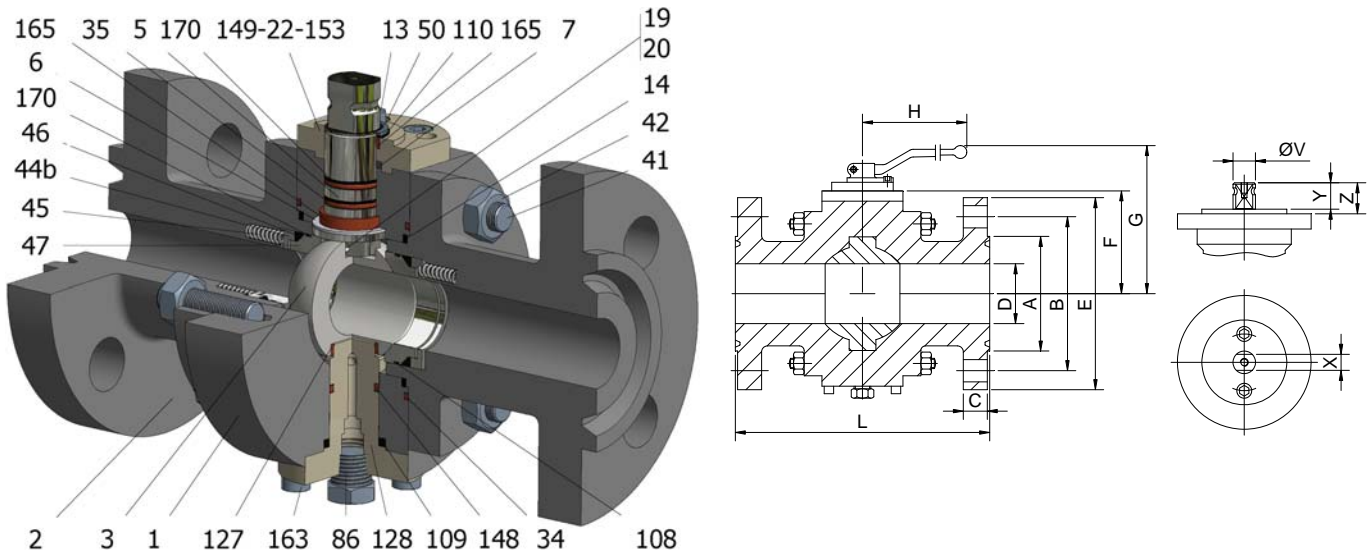


## FIG.GKMS 159 CGGVV CL1500 1/2"-1 1/2" RTJ



Position	Description	Material
01	Body 1	C.S. A350 LF2
02	Body 2	C.S. A350 LF2
03	Ball	A182 F51+Cr-Carbide
05	Stem	XM-19
06	Stem seal	PEEK
07	Stem packing 1	Graphite
13	Cover bolt	S.S. (316)
14	Body seal 1	Graphite
16	Handle	WCB
17	Handle bolt	1.045(8.8)
19	Spring	S.S. AISI 316
20	Antistatic ball	S.S. AISI 316
22	Stop pin	S.S. AISI 316
34	Body seal 2	FKM
35	O ring stem	FKM
41	Stud	A320 L7M
42	Nut	A194 7M
44b	Ring seat 2	S.S. AISI 316
45	Spring	Inconel X750
46	Seat seal	Graphite
47	Metal seat	AISI 316+Cr-Carbide
50	Subjection ring	S.S. AISI 420
86	Drain plug	C.S. A350 LF2
86a	Vent plug	C.S. A350 LF2
108	O ring seat	FKM
109	Cover seal	Graphite
110	Subjection ring seal	S.S. AISI 316 Nitrided
127	Stem bearing	MU
128	Body cover 2	C.S. A350 LF2
148	O ring cover	FKM
149	ISO cover	C.S. A350 LF2
153	ISO cover bolt	S.S. (316)
163	Body cover 2 bolt	S.S. (316)
165	Stem bearing	MU
170	Stop seal	PTFE+CG

### General features

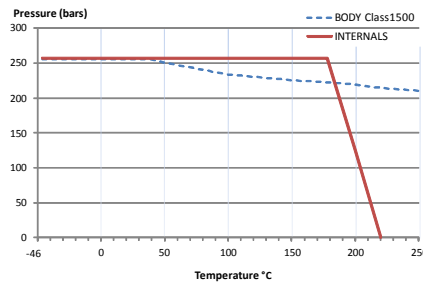
Full trunnion.  
Three pieces.  
Full bore.  
Metal to Metal.  
Bidirectional.  
Spring loaded seat system.  
Anti Blow out proof stem.  
Anti static device.  
Self-cavity pressure relief.  
Double Block and Bleed.

### Standards

Top flange ISO 5211  
Flanges ANSI B16.5  
Face to face ANSI B16.10  
Testing API 598, API 6D, BS 6755-1  
Design API 6D, B16.34  
Materials according to NACE MR0175

### Official approvals

CERTIFICATE FIRE SAFE  
API 6D.  
ATEX 2014/34/EU  
PED 2014/68/EU  
SIL 3 CAPABLE



### PEKOS GROUP CERTIFICATES:



### DIMENSIONS & Technical information

DN	CL	D	L	E	A	B	C	F	H	G	V	X	Y	Z	n x d	ISO 5211	Torque	MAST	Weight
1/2"	1500	15	216	120	60	83	29	68	185	112	18	14	17	19,5	4 x 22	F05	-	175,2	15
3/4"	1500	20	229	130	67	89	32	68	185	112	18	14	17	19,5	4 x 22	F05	-	175,2	21
1"	1500	25	254	150	71	102	35	68	185	112	18	14	17	19,5	4 x 25	F05	-	175,2	24
1 1/2"	1500	40	305	180	92	124	38	82	293	142	22	17	20	25	4 x 29	F10-1	-	464	42

\*\* Depending on service conditions.

\* Dimensions are in mm.

\* Torque & MAST are in Nm

\* Weight is in Kilogram

\* Torque values have been measured ΔP at maximum rating at room temperature

DS-3964  
Rev.3