

# D295

Diaphragm seals, saddle type



## Main Features

- Saddle flanges for direct welding on pipes from 2" to 6"
- Flat flanges for welding on pipes > 6" or tanks
- Option : exotic materials for wetted parts

## Applications

- Oil & Gas / Chemical
- Water / Waste water
- Energy
- Transportation / Logistics
- Machinery

## Technical Data

This chemical seals are used to protect pressure gauges from high temperatures, aggressive, crystalizing or corrosive fluids.

The lower parts of these seals are flanges, to be welded directly on pipelines or on tanks.

Depending on the diameter of the pipeline, saddle flanges or flat flanges are used.

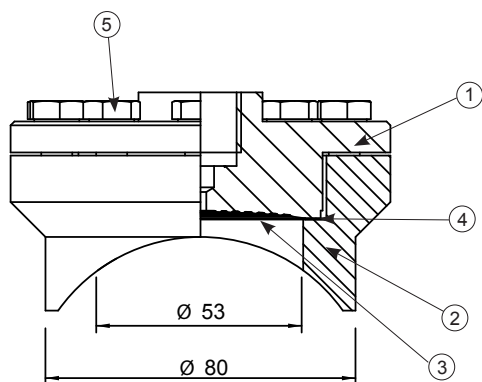
Chemical seals can be mounted to mechanical pressure gauges, switches or transmitters directly or with a flexible capillary. The filling fluid of the measuring system has to be chosen compatible to the application.

A wide choice of materials for the wetted parts allow the user to adapt the seal to many different applications and process fluids.

The upper part of the D295 is compatible with all lower parts of the D295 and can also be used with already installed lower parts of the former series D294 (with a different gasket).

Pressure ranges	0 ... 1 bar to 0 ... 40 bar
Temperature	-40...200°C
Diaphragm	Stainless Steel 1.4435 (AISI 316L) Option: exotic materials and coatings (see ordering details)
Lower part	Stainless Steel 1.4404 (AISI 316L) Option : exotic materials (see ordering details)
Gasket	PTFE
Filling liquids	LRS1 : -15...150°C LRS4 : -15...150°C (for Oxygen) LRS9 : -40...200°C (high temperature oil) Other fluids on request

## Materials



	N°	D295
Upper part	①	1.4404 (316L)
Lower part	②	1.4404 (316L) <sup>1)</sup>
Diaphragm	③	1.4435 (316L) <sup>1)</sup>
Gasket	④	PTFE
Screws	⑤	10 screws M10x20, 1.4301 (AISI 304)

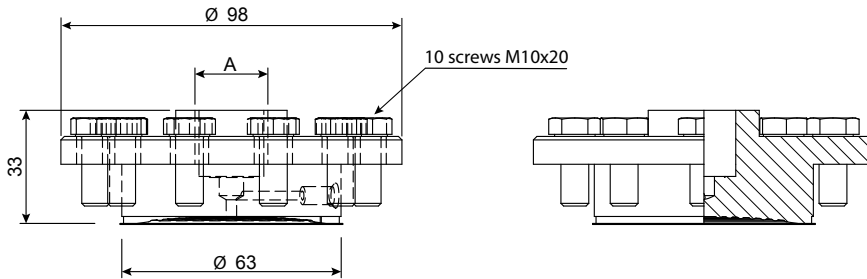
<sup>1)</sup> Others materials see ordering details on page 3

# D295

Diaphragm seals, saddle type

## Dimensions - Types of mounting

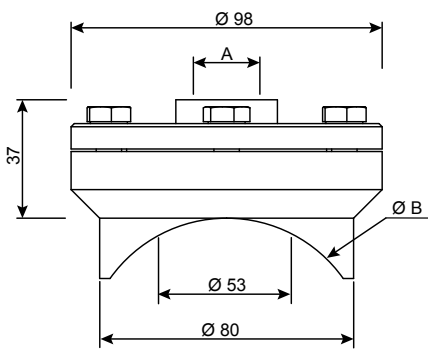
### Upper part <sup>1)</sup>



Code	A	Weight kg
D295-xxxx.000	G1/2 - G1/4 - 1/2NPT - 1/4NPT	0.800

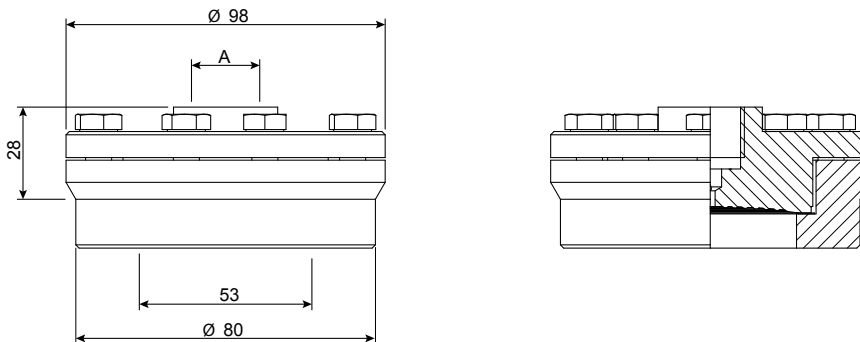
<sup>1)</sup> 10 screws M10x20 and the PTFE gasket (58,8 x 54,8, article number 10306697) are included in the delivery also when only the upper part is ordered. A 2nd PTFE gasket (64 x 54, article number 10305676) is included for use with installed lower parts of the former series D294.

### Upper part + saddle flange (pipes 2" to 6")



Code	DN	A	Ø B	Weight kg
D295-xxxx.x1H	50 / 2"	G1/2 - G1/4 - 1/2NPT - 1/4NPT	61	1.32
D295-xxxx.x1J	65 / 2 1/2"		75	1.22
D295-xxxx.x1K	80 / 3"		90	1.20
D295-xxxx.x1L	100 / 4"		114	1.18
D295-xxxx.x1M	125 / 5"		150	1.16
D295-xxxx.x1N	150 / 6"		170	1.15

### Upper part + flat flange (tanks and pipes >6")



Code	DN	A	Weight kg
D295-xxxx.x2P	> 150 / 6"	G1/2 - G1/4 - 1/2NPT - 1/4NPT	1.25

# D295

Diaphragm seals, saddle type

## Ordering details D295

	D295	-	x	x	x	x	.	x	xx
<b>Model</b>	Saddle flange diaphragm seal	D295	-						
<b>Upper part material</b>	Stainless steel 316L (1.4404)		2						
	Titanium <sup>1)</sup>		8						
<b>Instrument connection</b>	G½							L	
	G¼							H	
	½ NPT							N	
	¼ NPT							8	
<b>Diaphragm material</b>	Stainless steel 316L (1.4435)								2
	Uranus B6 (1.4539)								3
	Hastelloy B2 (2.4617)								5
	Hastelloy C276 (2.4819)								6
	Titanium <sup>2)</sup>								8
<b>Diaphragm coating</b>	No coating								0
	PTFE 20 µm								1
	PTFE 250 µm adhesive liner <sup>3)</sup>								2
<b>Lower part material</b>	Without lower part								0
	Stainless steel 316L (1.4404)								2
	Hastelloy C276 (2.4819)								6
	Titanium								8
<b>Process connection</b>	Without lower part								00
	Saddle flange for pipe diameter	DN 50 / 2"							1H
		DN 65 / 2 ½"							1J
		DN 80 / 3"							1K
		DN 100 / 4"							1L
		DN 125 / 5"							1M
		DN 150 / 6"							1N
	Flat flange for pipe diameter	> DN 150 / 6" or tanks							2P

<sup>1)</sup> Only available with Titanium diaphragm

<sup>2)</sup> Only available with Titanium upper part

<sup>3)</sup> Not for vacuum and compound pressure ranges

## Ordering details D295

	D295	-	2	L	2	0	.	2	1H
Saddle flange diaphragm seal									
Upper part material stainless steel 1.4404 (316L)			2						
Instrument connection G½				L					
Diaphragm material 1.4435 (316L)					2				
No coating						0			
Lower part material 1.4404 (316L)								2	
Process connection DN 50 / 2"									1H